

Coaxial Adapter

Part No.: WLD-2251-75



75Ω N Female to 75Ω F Male Coaxial Adapter

Features

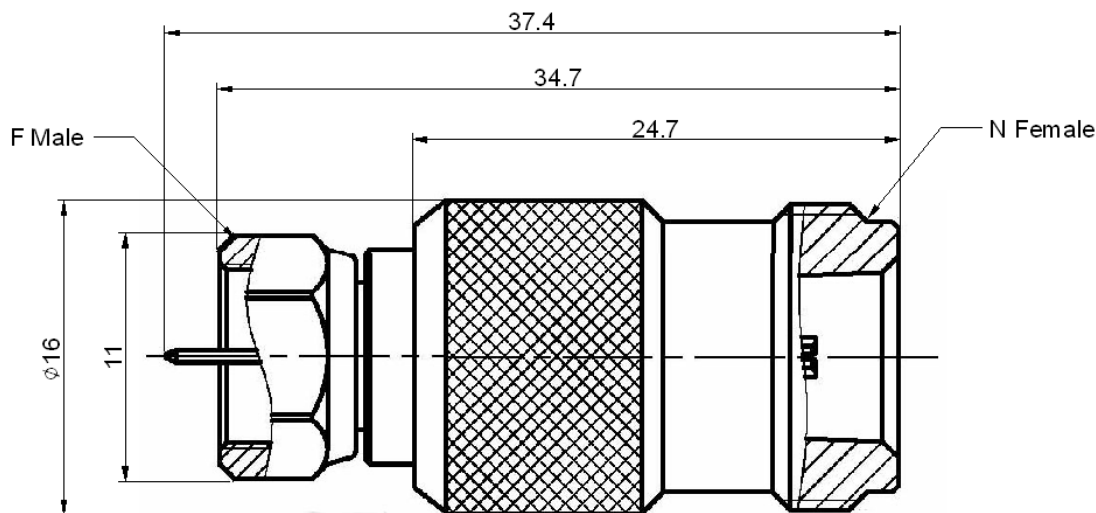
- High Stability
- Low Return Loss

Specification	
Frequency :	3GHz
VSWR :	1.3: 1 (MAX.)
Impedance :	75Ω
Connector Type :	N Female to F Male

No	Description	Material	Q'ty	Finish
01	Body	Brass	2	Nickel
02	Insulator	Teflon	2	
03	Center Pin	Phosphor Bronze	1	Gold
04	Shell	Brass	1	Nickel

Outline Drawing

Units: mm



Dimension Tolerance: ±0.5 mm