

# Power Divider

**Part No.: WLPD-2060-12**

**2~6GHz 2 Way SMA Type Power Divider**



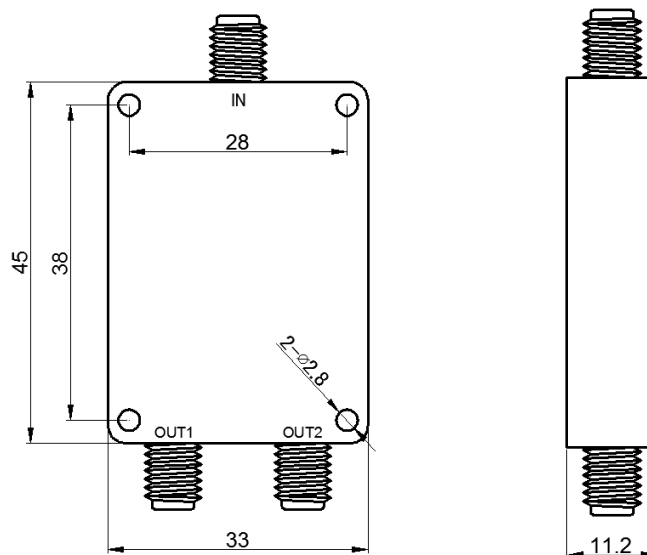
## Features

- Low Insertion Loss
- High Isolation

Description	Specification
Frequency Range	2-6GHz
Way	2
VSWR	≤1.5:1
Isolation	≥18dB
Insertion Loss	≤1.0dB
Split Loss	3.0dB
Phase Balance	±5°C
Operating Temperature	-55~85°C
Connector Type	SMA Female

## Outline Drawing

Units: mm



**Dimension Tolerance: ±0.3 mm**