

# F-Type Power Divider

**Part No.: WLPD-00501-1275**

**75Ω 5-1000MHz 2 Way F Type Power Divider**



## Features

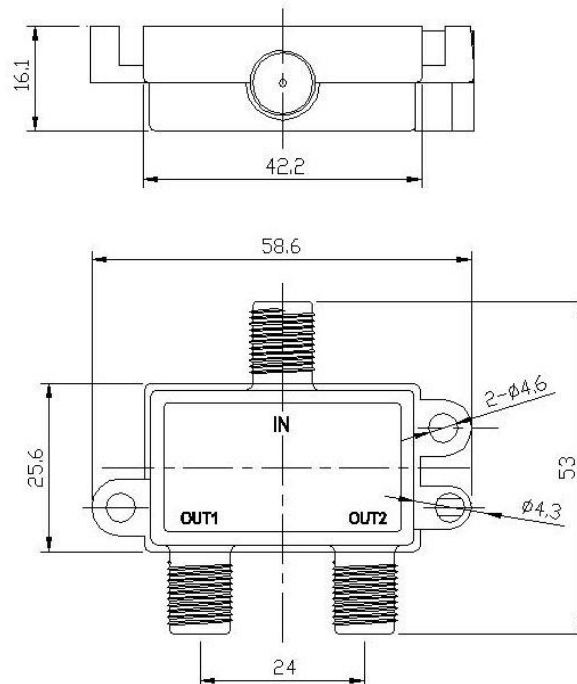
- Suitable for 75Ω Communication Systems
- Frequency Range: 1GHz



Description	Specification
Frequency Range	5-1000MHz
Number of Output	2 Ports
Insertion Loss	≤5.0dB
VSWR	≤1.3: 1
Isolation	≥20dB
Connector Type	F Female

## Outline Drawing

Units: mm



**Dimension Tolerance: ±0.3 mm**