

Fixed Attenuator

Part No.: **WLA-2122-06xx**



6GHz N Type 2-Watt XXdB Fixed Attenuator

Features

- Precise Attenuation
- Low Loss

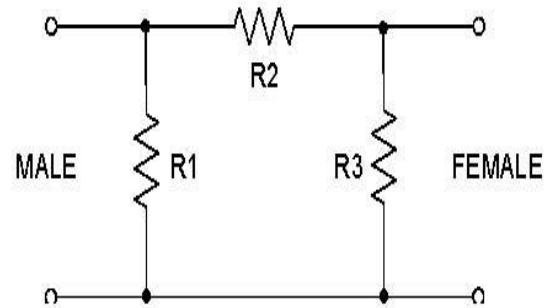
Specification	
Impedance	50Ω
Frequency	6GHz
Standard Value	3,5,6,10,20,30 dB
Average Power	2W
Operating	-55~150°C

No	Description	Material	Q'ty	Finish
01	Body	Brass	1	Nickel
02	Nut	Brass	1	Nickel
03	N Female	QSn6.5-0.1	1	Gold
04	N Male	QSn6.5-0.1	1	Gold
05	Insulator	Teflon	1	

Electrical Specifications

Attenuation (dB)	TYP. VSWR(:1)			MAX. VSWR(:1)
	2GHz	2-4GHz	4-6GHz	6GHz
3	1.10	1.15	1.20	1.25
5	1.10	1.15	1.20	1.25
6	1.10	1.15	1.20	1.25
10	1.10	1.15	1.20	1.25
20	1.10	1.15	1.20	1.25
30	1.10	1.15	1.20	1.30

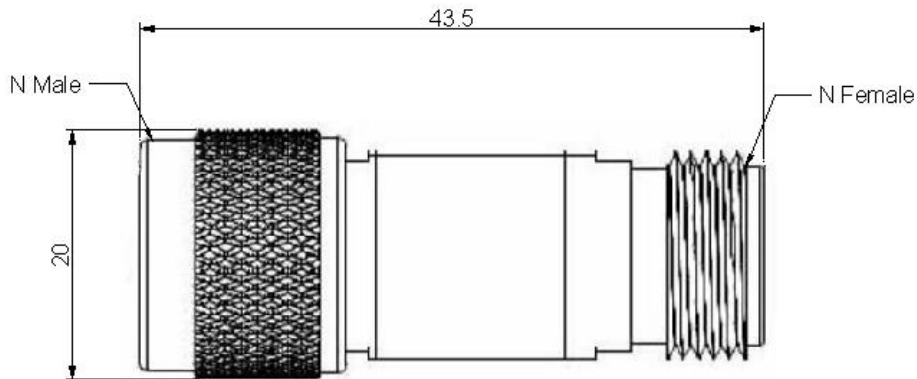
Attenuation (dB)	Attenuation Accuracy (dB)	
	3GHz	3-6GHz
3	±0.20	±0.30
5	±0.20	±0.30
6	±0.20	±0.30
10	±0.25	±0.50
20	±0.50	±0.55
30	±0.50	±2.0



Outline Drawing



Units: mm



Dimension Tolerance: ±0.5 mm