

# Precision Test Probe

**Part No.: WLP-9234**



**6GHz MMCX Female to IPEX MHF4 / X.FL Flange Test Probe**

## Features

- High Durability
- Low Return Loss

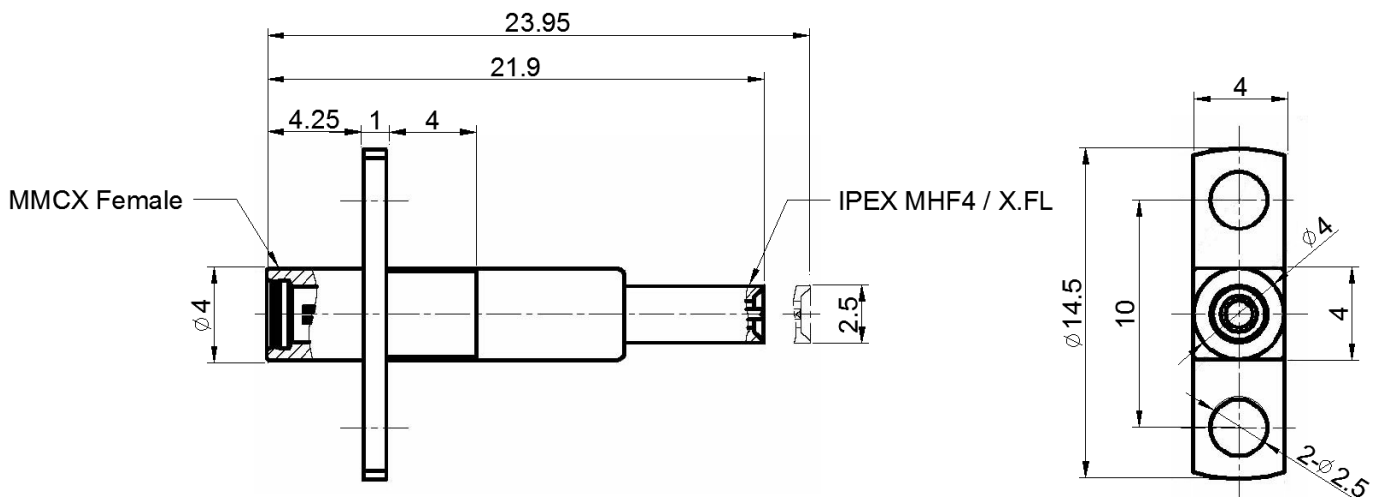


Specification	
Frequency :	6GHz
VSWR :	1.5: 1 (MAX.)
Impedance :	50Ω
Connector Type :	MMCX Female to IPEX / X.FL

No	Description	Material	Q'ty	Finish
01	MMCX Body	Brass	1	Gold
02	Center Pin	Beryllium Copper	2	Gold
03	Insulator	Teflon	2	
04	Spring	SWP	1	Gold
05	Spring	SWP	1	Nickel
06	Body	Brass	1	Nickel
07	Panel Body	Brass	1	Nickel
08	IPEX Body	Brass	1	Gold

## Outline Drawing

Units: mm



**Dimension Tolerance: ±0.5 mm**