

Precision Test Probe

Part No.: WLP-9231

6GHz MMCX to IPEX MHF1/U.FL Female Flange Test Probe



Features

- High Durability
- Low Return Loss

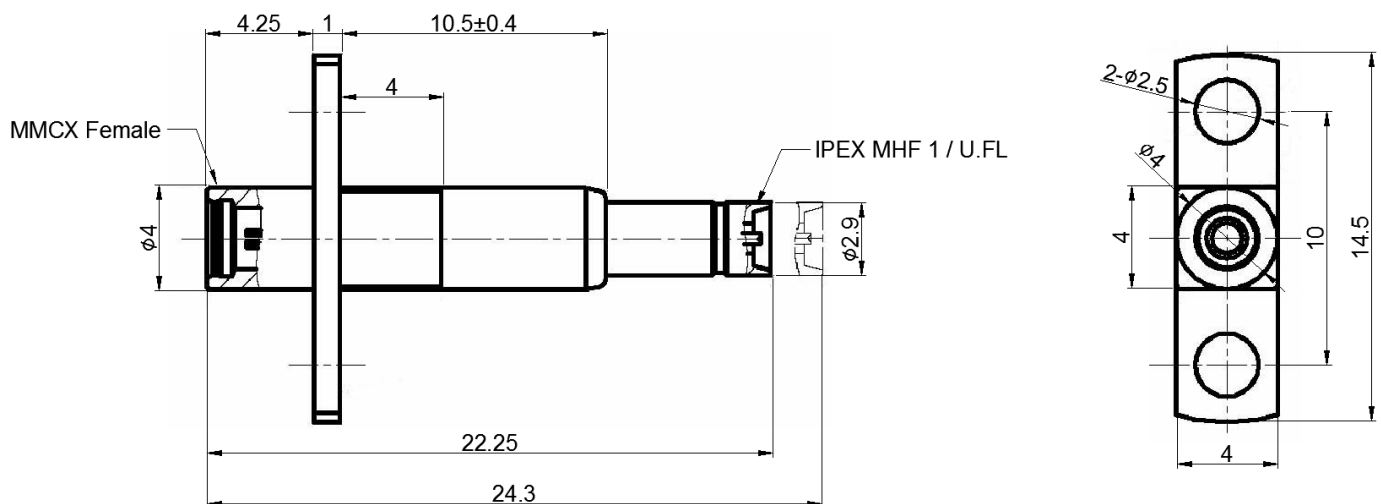


Specification	
Frequency :	6GHz
VSWR:	1.5: 1 (MAX.)
Impedance:	50Ω
Connector Type:	MMCX Female to IPEX MHF1 / U.FL

No	Description	Material	Q'ty	Finish
01	MMCX Body	Brass	1	Gold
02	Center Pin	Beryllium Copper	2	Gold
03	Insulator	Teflon	3	
04	Spring	SWP	1	Gold
05	Spring	SWP	1	Nickel
06	Body	Brass	1	Nickel
07	IPEX Body	Brass	1	Gold

Outline Drawing

Units: mm



Dimension Tolerance: ±0.2 mm