

Precision Test Adapter

Part No.: **WLP-3112**



6GHz Precision Test Adapter for IPEX/U.FL Male

Features

- High Performance
- Low Return Loss

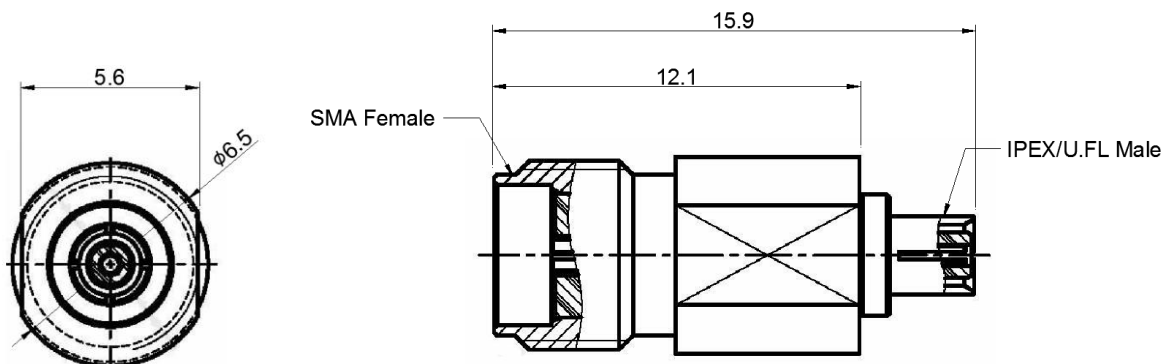


Specification	
Frequency :	6GHz
VSWR :	1.25: 1 (MAX.)
Impedance :	50Ω
Connector Type :	SMA Female to IPEX/U.FL Male

No	Description	Material	Q'ty	Finish
01	Body	Brass	1	Gold
02	Insulator	Teflon	2	
03	Center Pin	Beryllium Copper	1	Gold
04	Body	Beryllium Copper	1	Gold

Outline Drawing

Units: mm



Dimension Tolerance: ±0.5 mm