

Precision Test Adapter

Part No.: WLP-3111



6GHz Precision Test Adapter for IPEX/U.FL Female

Features

- High Performance
- Low Return Loss

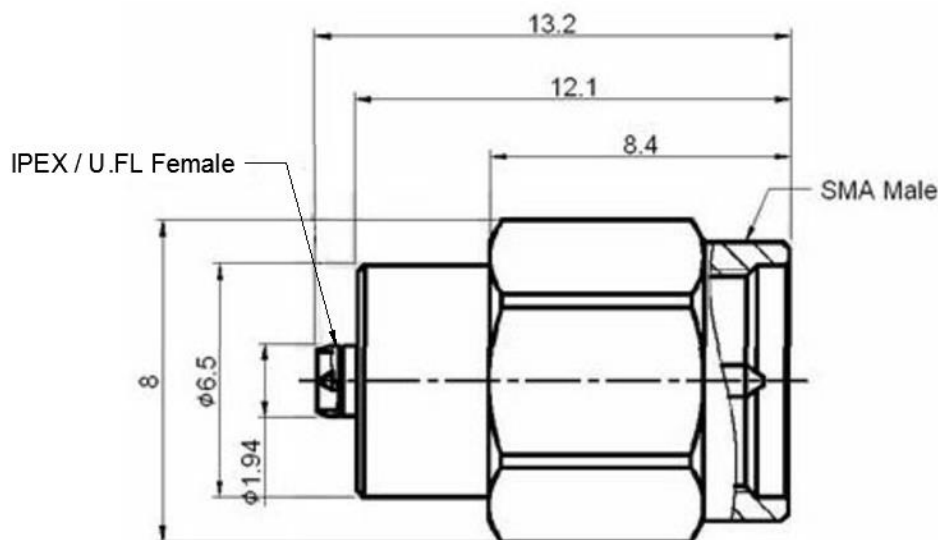


Specification	
Frequency :	6GHz
VSWR :	1.25: 1 (MAX.)
Impedance :	50Ω
Connector Type :	SMA Male to IPEX/U.FL Female

No	Description	Material	Q'ty	Finish
01	Shell	Brass	1	Nickel
02	Gasket	Silicone	1	Red
03	Inner Retaining Ring	Stainless	1	
04	Insulator	Teflon	2	
05	Center Pin	Brass	1	Gold
06	Body	Brass	1	Nickel

Outline Drawing

Units: mm



Dimension Tolerance: ±0.3 mm