

Precision Test Probe

Part No.: WLP-1213

6GHz Precision Test Probe

(Ref # MM126320 for Coaxial Connectors MM8030-2610/8130-2600/8430-2610)



Features

- High Durability
- Low Return Loss

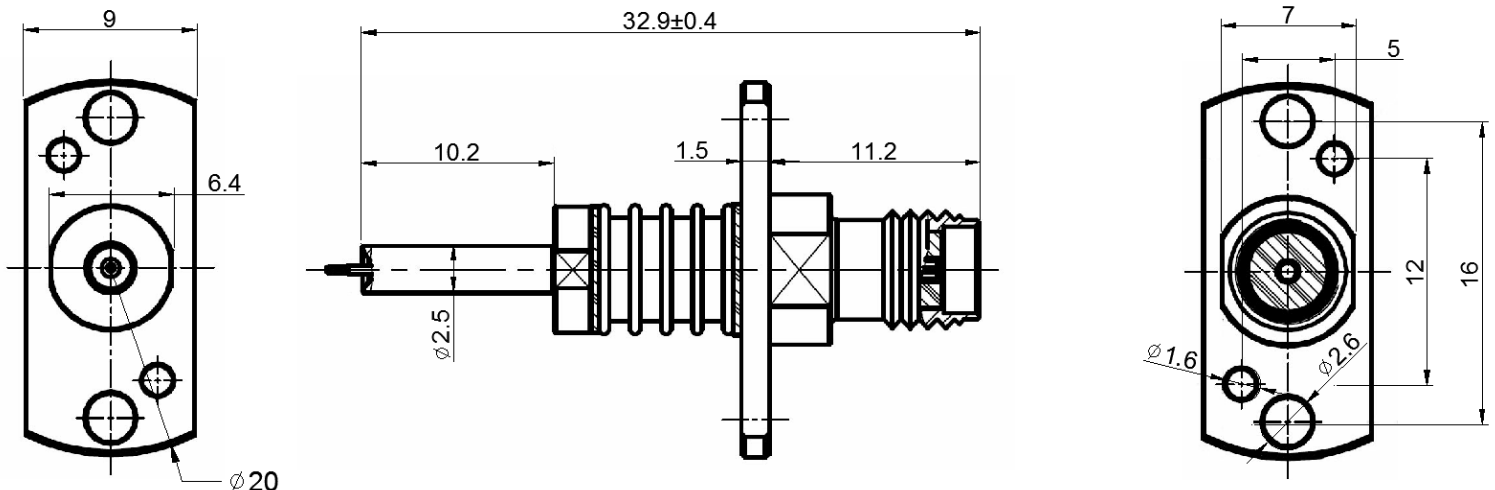


| Specification | |
|-----------------|-------------------------------------|
| Frequency : | 6GHz |
| VSWR: | 1.4max. (DC-3GHz) |
| | 1.6max. (DC 3-6GHz) |
| Impedance: | 50Ω |
| Connector Type: | Ref # Murata mm126320 to SMA Female |

| No | Description | Material | Q'ty | Finish |
|----|-------------|------------------|------|--------|
| 01 | Body | Stainless | 1 | |
| 02 | Insulator | Teflon | 3 | |
| 03 | Center Pin | Phosphor Bronze | 2 | Gold |
| 04 | Spring | SWP | 1 | Gold |
| 05 | Center Pin | Beryllium Copper | 1 | Gold |
| 06 | Body | Brass | 2 | Gold |
| 07 | Spring | SWC | 1 | Nickel |

Outline Drawing

Units: mm



Dimension Tolerance: ± 0.2 mm