

# Precision Test Probe

**Part No.: WLP-1209**

**6GHz Precision Test Probe**

(Ref # MM126036 for Coaxial Connectors MM8130-2600/MM8430-2610)



## Features

- High Durability
- Low Return Loss

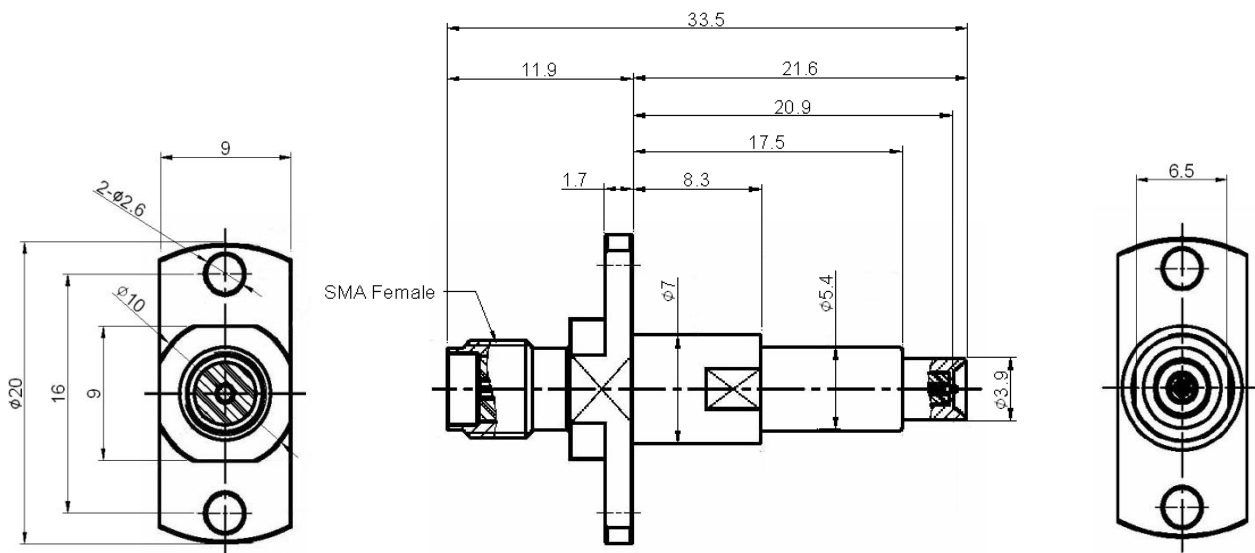


Specification	
Frequency :	6GHz
VSWR :	1.5: 1 (MAX.)
Impedance :	50Ω
Connector Type :	Ref # Murata mm126036 to SMA Female

No	Description	Material	Q'ty	Finish
01	Body	Stainless	1	
02	Center Pin	Phosphor Bronze	1	Gold
03	Insulator	Teflon	3	
04	Spring	SWP	1	
05	Body	Brass	2	Gold
06	Press Body	Brass	1	Gold
07	Center Pin	Beryllium Copper	1	Gold

## Outline Drawing

Units: mm



**Dimension Tolerance:  $\pm 0.5$  mm**