

Coaxial Connector

Part No.: WLN-4200-PM5003

MMCX Female for Edge card Mount



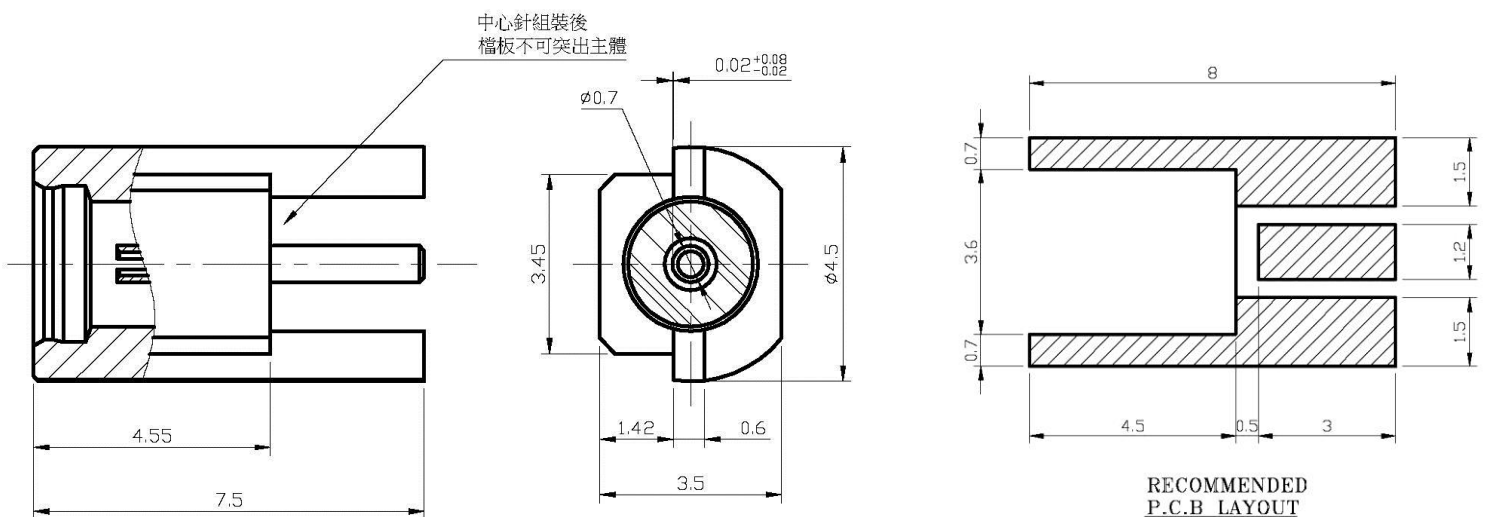
Specification	
Frequency :	6GHz
VSWR:	1.3: 1 (MAX.)
Impedance:	50Ω
Connector Type :	MMCX Female for Edge card

No	Description	Material	Q'ty	Finish
01	Body	Brass	1	Gold
02	Insulator	Teflon	1	
03	Center Pin	Beryllium Copper	1	Gold



Outline Drawing

Units: mm



Dimension Tolerance: ±0.2 mm