

Coaxial Connector

Part No.: WLN-4200-PM5001



MMCX Female for PCB Mount Connector for SMT Type

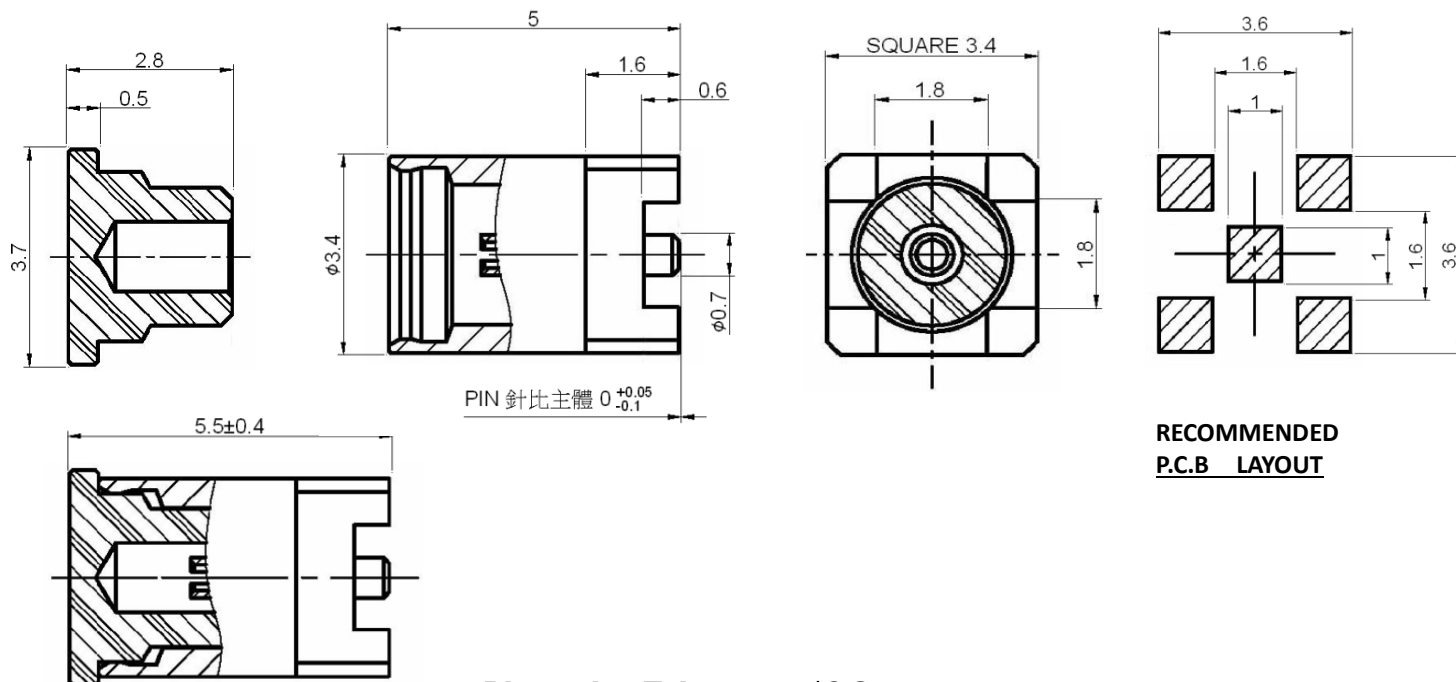
Specification	
Frequency :	6GHz
VSWR:	1.3: 1 (MAX.)
Impedance:	50Ω
Connector Type :	MMCX Female for PCB Mount



No	Description	Material	Q'ty	Finish
01	Body	Brass	1	Gold
02	Insulator	Teflon	1	
03	Center Pin	Beryllium Copper	1	Gold
04	Insulator Cap	Teflon	1	

Outline Drawing

Units: mm



Dimension Tolerance: ± 0.2 mm