

Coaxial Connector

Part No.: WLN-3200-PM5001



MCX Female for PCB Mount Connector for SMT Type

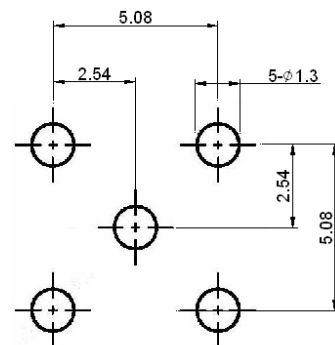
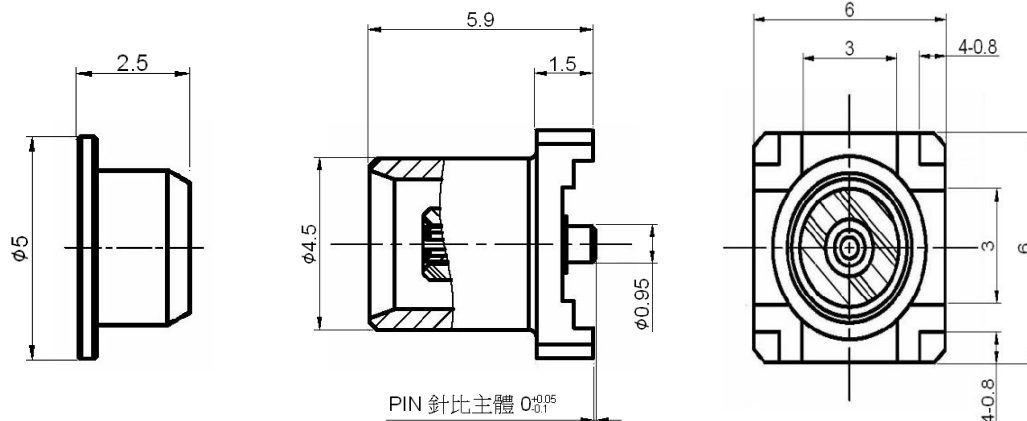
Specification	
Frequency :	6GHz
VSWR :	1.3: 1 (MAX.)
Impedance :	50Ω
Connector Type :	MCX Female for PCB Mount



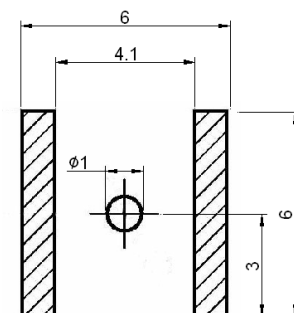
No	Description	Material	Q'ty	Finish
01	Body	Brass	1	Gold
02	Center Pin	Beryllium Copper	1	Gold
03	Insulator	Teflon	1	
04	Insulator Cap	Teflon	1	

Outline Drawing

Units: mm



RECOMMENDED MOUNTING HOLES



RECOMMENDED MOUNTING HOLES

Dimension Tolerance: ±0.5 mm