

Coaxial Connector

WLN-1200-PM5002



SMA Female for PCB Mount Connector (Panel Receptacle)

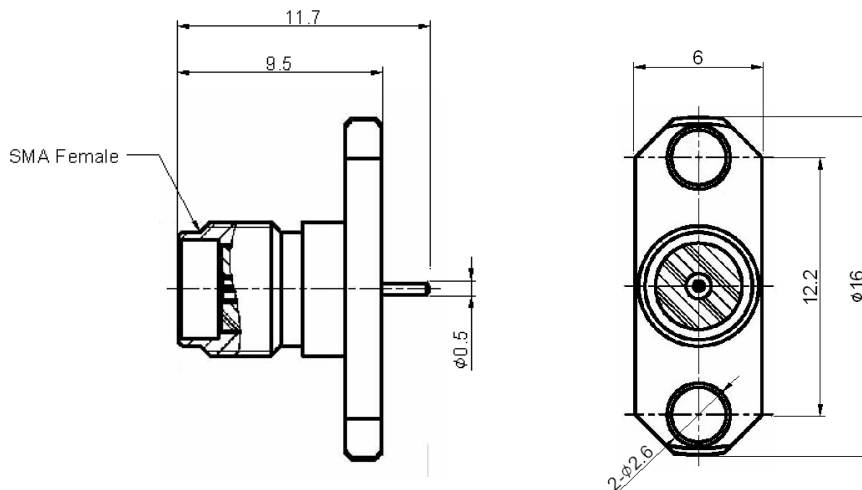
Specification	
Frequency :	6GHz
VSWR :	1.3: 1 (MAX.)
Impedance :	50Ω
Connector Type :	SMA Female for PCB Mount



No	Description	Material	Q'ty	Finish
01	Body	Brass	1	Gold
02	Insulator	Teflon	2	
03	Center Pin	Beryllium Copper	1	Gold

Outline Drawing

Units: mm



Dimension Tolerance: ± 0.5 mm