

# Coaxial Connector

**Part No.: WLN-1200-PM5001**



**SMA Female for PCB Mount Connector**

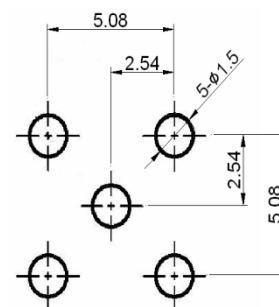
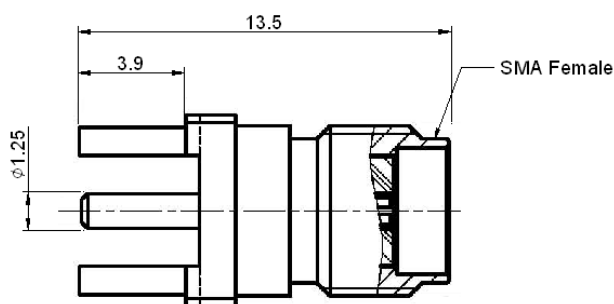
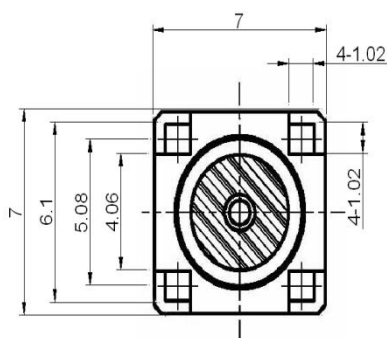
Specification	
Frequency :	18GHz
VSWR :	1.3: 1 (MAX.)
Impedance :	50Ω
Connector Type :	SMA Female for PCB Mount



No	Description	Material	Q'ty	Finish
01	Body	Brass	1	Gold
02	Insulator	Teflon	1	
03	Center Pin	Phosphor Bronze	1	Gold
04	Insulator	Teflon	1	

## Outline Drawing

Units: mm



**RECOMMENDED  
 P.C.B LAYOUT**

**Dimension Tolerance: ±0.3 mm**