

Coaxial Connector

Part No.: WLN-1200-EL5002



SMA Female End Launch for PCB Connector (1.0mm)

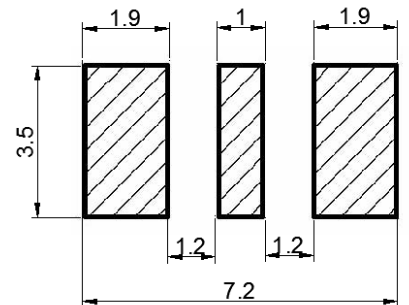
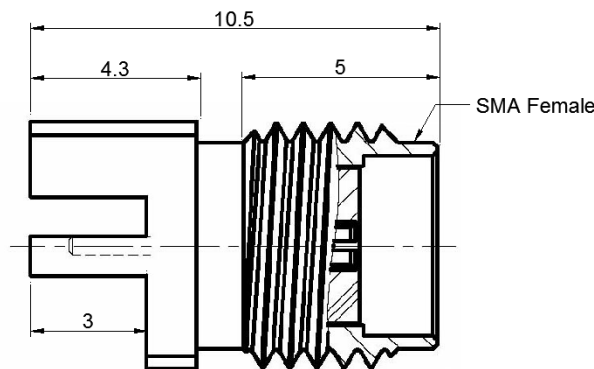
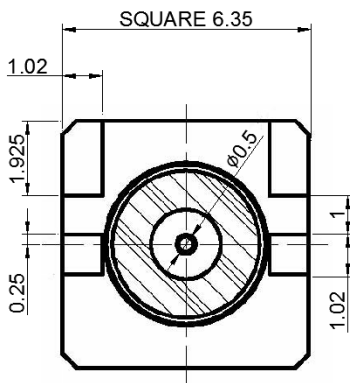
Specification	
Frequency :	18GHz
VSWR :	1.3: 1 (MAX.)
Impedance :	50Ω
Connector Type :	SMA Female for PCB Mount



No	Description	Material	Q'ty	Finish
01	Body	Brass	1	Gold
02	Insulator	Teflon	1	
03	Center Pin	Brass	1	Gold

Outline Drawing

Units: mm



**RECOMMENDED
 P.C.B LAYOUT**

Dimension Tolerance: ±0.2 mm