

Coaxial Connector

Part No.: WLN-1200-0.1

SMA Female PCB Mount Connector



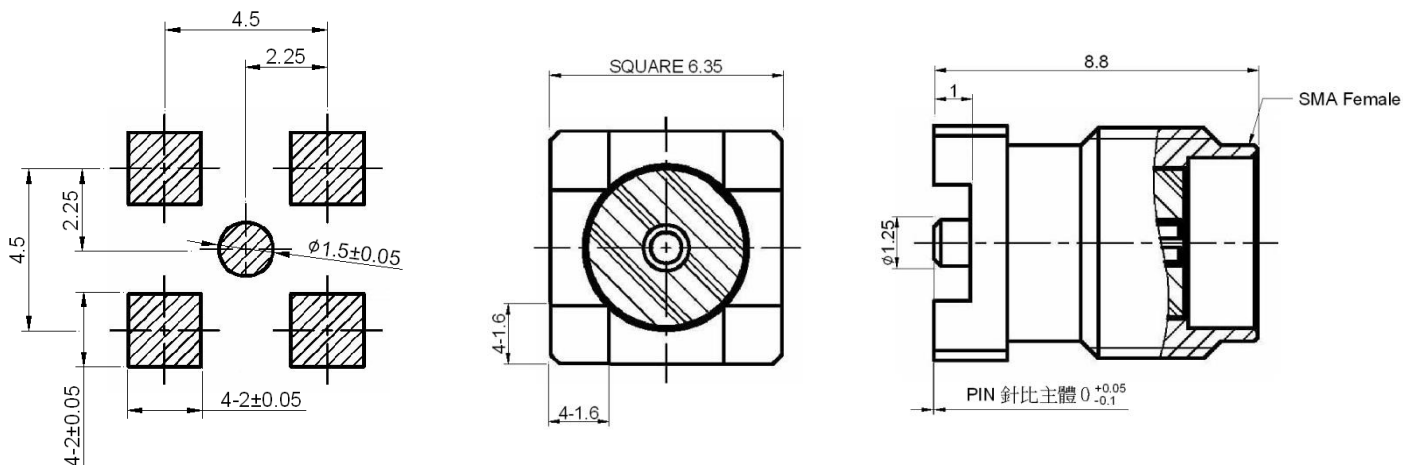
Specification	
Frequency :	18GHz
VSWR :	1.3: 1 (MAX.)
Impedance :	50Ω



No	Description	Material	Q'ty	Finish
01	Body	Brass	1	Gold
02	Insulator	Teflon	1	
03	Center Pin	Phosphor Bronze	1	Gold

Outline Drawing

Units: mm



**RECOMMENDED
 P.C.B LAYOUT**

Dimension Tolerance: ± 0.5 mm