

Coaxial Connector

WLN-1100-PM5001



SMA Male for PCB Mount Connector (Panel Receptacle)

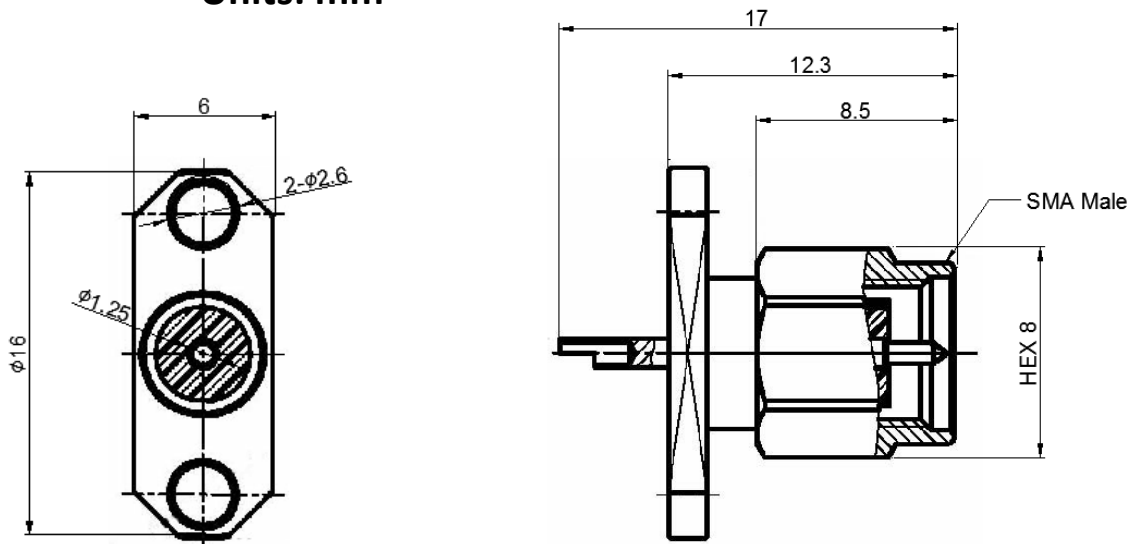
Specification	
Frequency :	6GHz
VSWR :	1.3: 1 (MAX.)
Impedance :	50Ω
Connector Type :	SMA Male for PCB Mount



No	Description	Material	Q'ty	Finish
01	Shell	Brass	1	Nickel
02	Gasket	Silicone	1	
03	Insulator	Teflon	1	
04	Inner Retaining Ring	Stainless	1	Nickel
05	Body	Brass	1	Nickel
06	Insulator	Teflon	1	
07	Center Pin	Brass	1	Gold

Outline Drawing

Units: mm



Dimension Tolerance: ±0.2 mm