

Coaxial Connector

Part No.: WLN-1100-EL5001

SMA Male End Launch for PCB Connector (0.8mm)

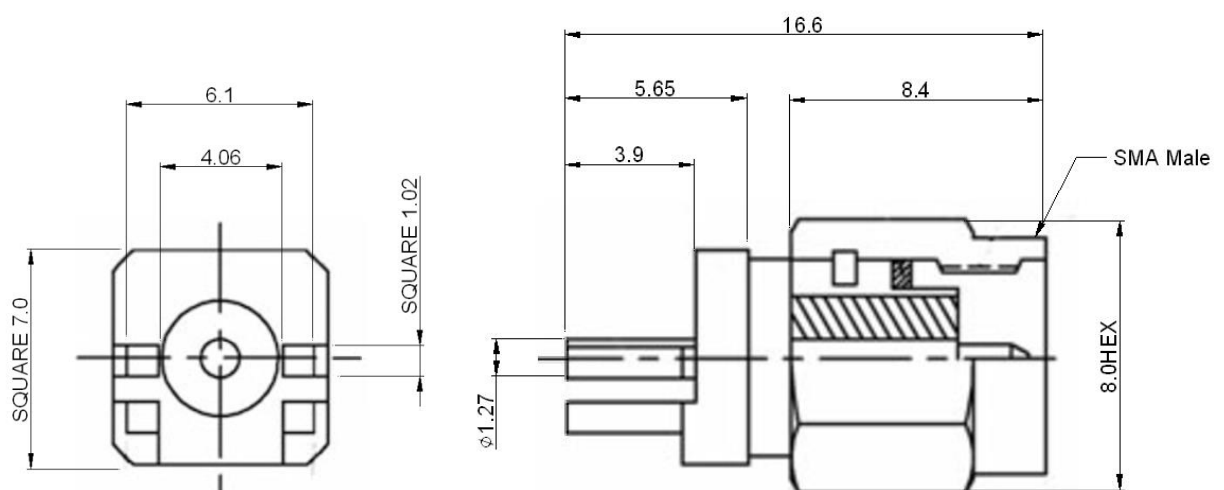


Specification	
Frequency :	12.4 GHz
VSWR :	1.3: 1 (MAX.)
Impedance :	50Ω

No	Description	Material	Q'ty	Finish
01	Body	Brass	1	Gold
02	Contact	Brass	1	Gold
03	Insulator	Teflon	1	None
04	Shell	Brass	1	Gold
05	C-Ring	Be. Copper	1	None
06	Gasket	Silicon	1	None

Outline Drawing

Units: mm



Dimension Tolerance: ±0.2 mm