

# Coaxial Adapter

Part No.: **WLD-R7211**



## 4GHz TNC Female Reverse to SMA Male Coaxial Adapter

### Features

- High Stability
- Low Return Loss

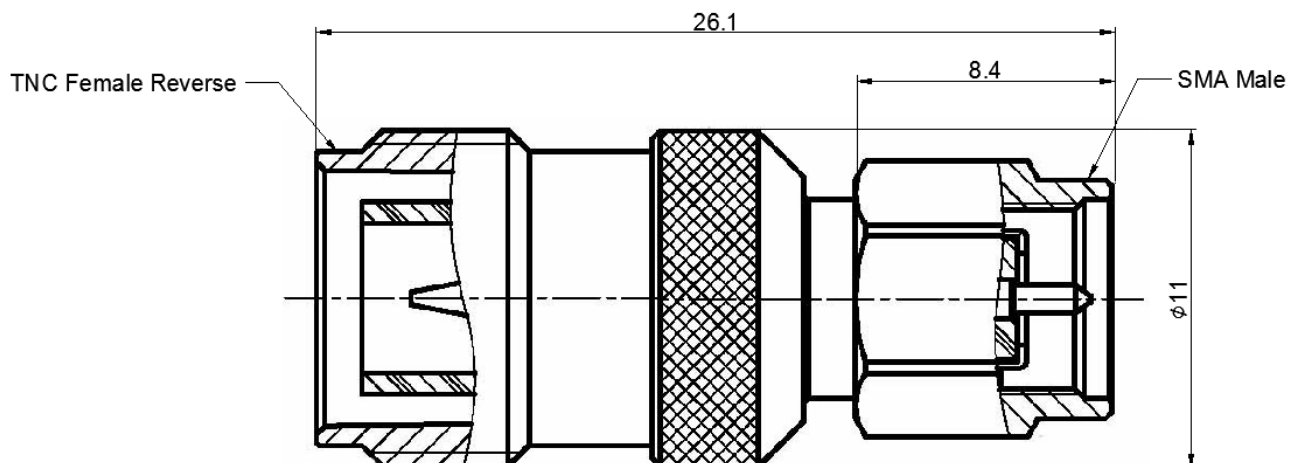


Specification	
Frequency :	4GHz
VSWR :	1.3: 1 (MAX.)
Impedance :	50Ω
Connector Type :	TNC Female Reverse to SMA Male

No	Description	Material	Q'ty	Finish
01	Shell	Brass	1	Nickel
02	Gasket	Silicone	1	Red
03	Inner Retaining Ring	Stainless	1	
04	Insulator	Teflon	2	
05	Center Pin	Brass	1	Gold
06	Body	Brass	1	Nickel

### Outline Drawing

Units: mm



**Dimension Tolerance:  $\pm 0.5$  mm**