

# Coaxial Adapter

Part No.: **WLD-R7112**



## 4GHz TNC Male Reverse to SMA Female Coaxial Adapter

### Features

- High Stability
- Low Return Loss

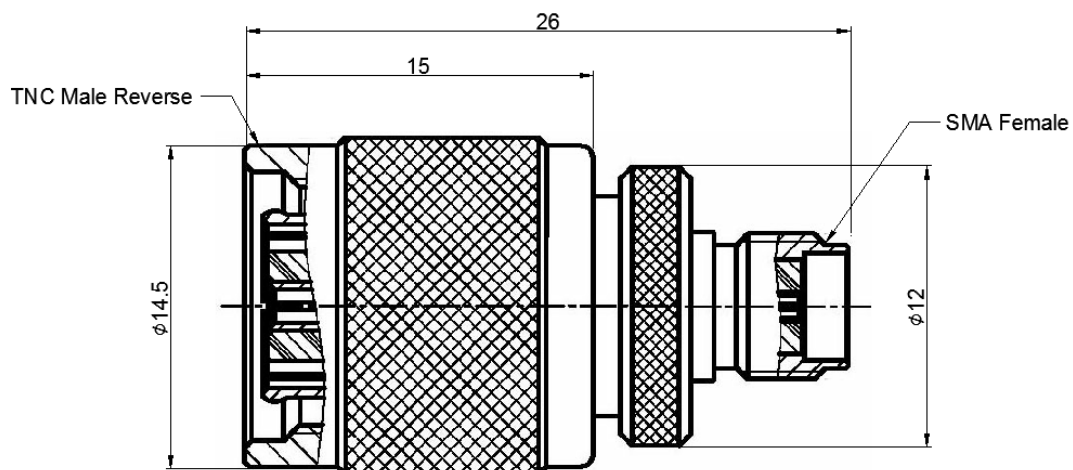


Specification	
Frequency :	4GHz
VSWR :	1.3: 1 (MAX.)
Impedance :	50Ω
Connector Type :	TNC Male Reverse to SMA Female

No	Description	Material	Q'ty	Finish
01	Body	Brass	1	Nickel
02	Insulator	Teflon	2	
03	Center Pin	Phosphor Bronze	1	Gold
04	Inner Retaining Ring	SK5	1	Nickel
05	Gasket	Silicone	1	Red
06	Shell	Brass	1	Nickel

### Outline Drawing

Units: mm



**Dimension Tolerance:  $\pm 0.5$  mm**