

Coaxial Adapter

Part No.: WLD-R7111



4GHz TNC Male Reverse to SMA Male Coaxial Adapter

Features

- High Stability
- Low Return Loss

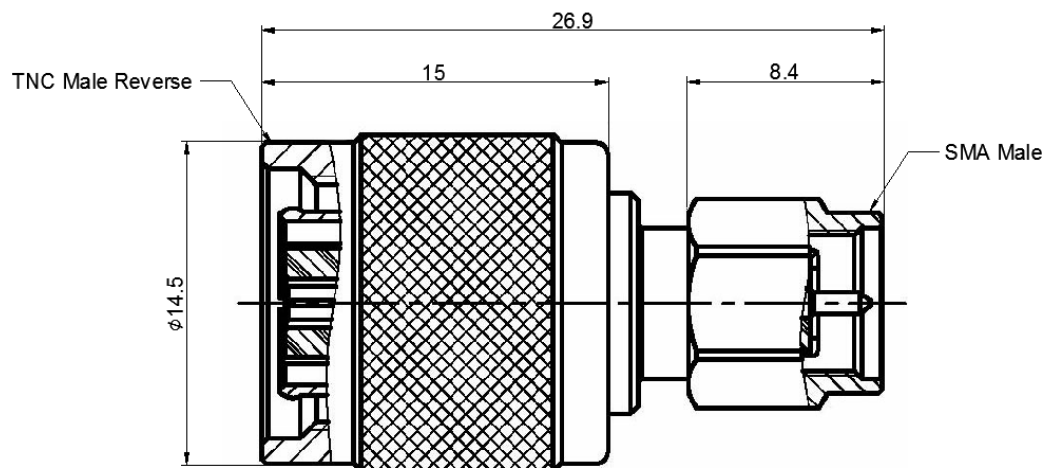


Specification	
Frequency :	4GHz
VSWR :	1.3: 1 (MAX.)
Impedance :	50Ω
Connector Type :	TNC Male Reverse to SMA Male

No	Description	Material	Q'ty	Finish
01	Shell	Brass	2	Nickel
02	Gasket	Silicone	1	Red
03	Inner Retaining Ring	Stainless	1	
04	Insulator	Teflon	2	
05	Center Pin	Brass	1	Gold
06	Body	Brass	1	Nickel
07	Inner Retaining Ring	SK5	1	Nickel

Outline Drawing

Units: mm



Dimension Tolerance: ±0.5 mm