

Coaxial Adapter

Part No.: WLD-R1712



6GHz Quick SMA Male Reverse to SMA Female Coaxial Adapter

Features

- High Stability
- Low Return Loss

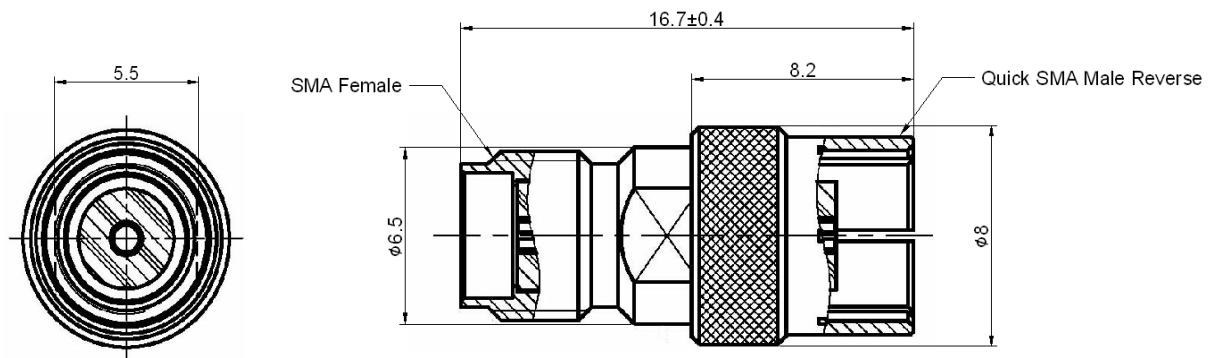


Specification	
Frequency :	6GHz
VSWR :	1.3: 1 (MAX.)
Impedance :	50Ω
Connector Type :	Quick SMA Male Reverse to SMA Female

No	Description	Material	Q'ty	Finish
01	Shell	Brass	1	Gold
02	Center Pin	Phosphor Bronze	1	Gold
03	Insulator	Teflon	2	
04	Body	Brass	1	Gold

Outline Drawing

Units: mm



Dimension Tolerance: ±0.2 mm