

# Coaxial Adapter

Part No.: **WLD-9112**



## 6GHz MMCX Male to SMA Female Coaxial Adapter

### Features

- High Performance
- Low Return Loss

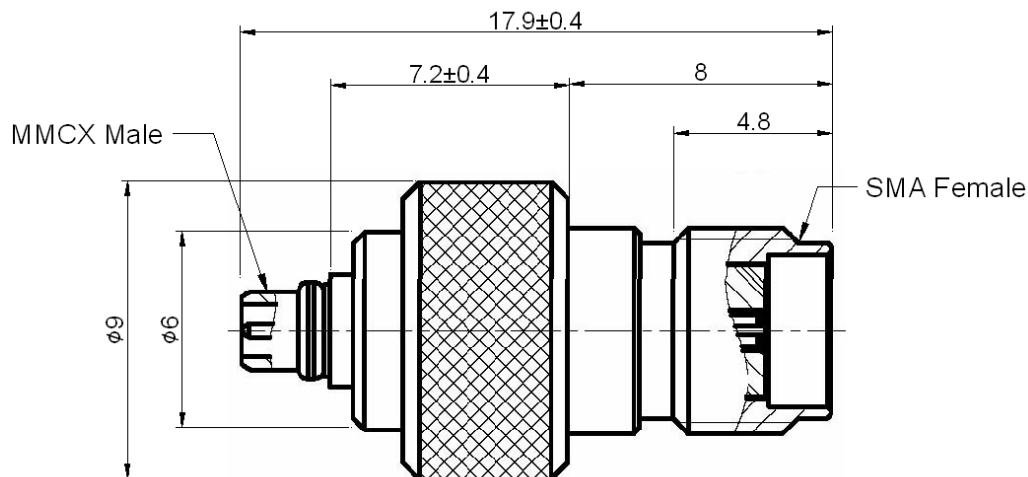


Specification	
Frequency :	6GHz
VSWR :	1.3: 1 (MAX.)
Impedance :	50Ω
Connector Type :	MMCX Male to SMA Female

No	Description	Material	Q'ty	Finish
01	Body	Brass	2	Gold
02	Insulator	Teflon	2	
03	Center Pin	Phosphor Bronze	1	Gold
06	C Ring	Beryllium Copper	1	Gold

### Outline Drawing

Units: mm



**Dimension Tolerance: ±0.2 mm**