

# Coaxial Adapter

**Part No.: WLD-5752-75**



## 75Ω Quick F Male to F Female Coaxial Adapter

### Features

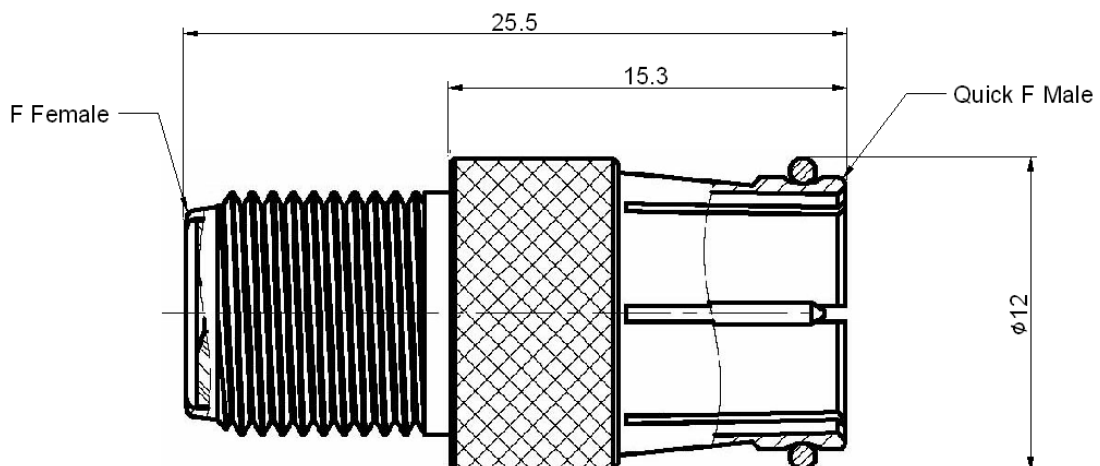
- High Stability
- Low Return Loss

Specification	
Frequency :	3GHz
VSWR :	1.3: 1 (MAX.)
Impedance :	75Ω
Connector Type :	Quick F Male to F Female

No	Description	Material	Q'ty	Finish
01	Spring	SK5	1	Nickel
02	Body	Brass	1	Nickel
03	Insulator	Teflon	1	
04	Center Pin	Brass	1	Gold
05	Insulator	Teflon	1	
06	Center Contact	Beryllium Copper	1	Gold

### Outline Drawing

Units: mm



**Dimension Tolerance: ±0.5 mm**