

Coaxial Adapter

Part No.: WLD-5252-75



75Ω F Female to 75Ω F Female Coaxial Adapter

Features

- High Stability
- Low Return Loss

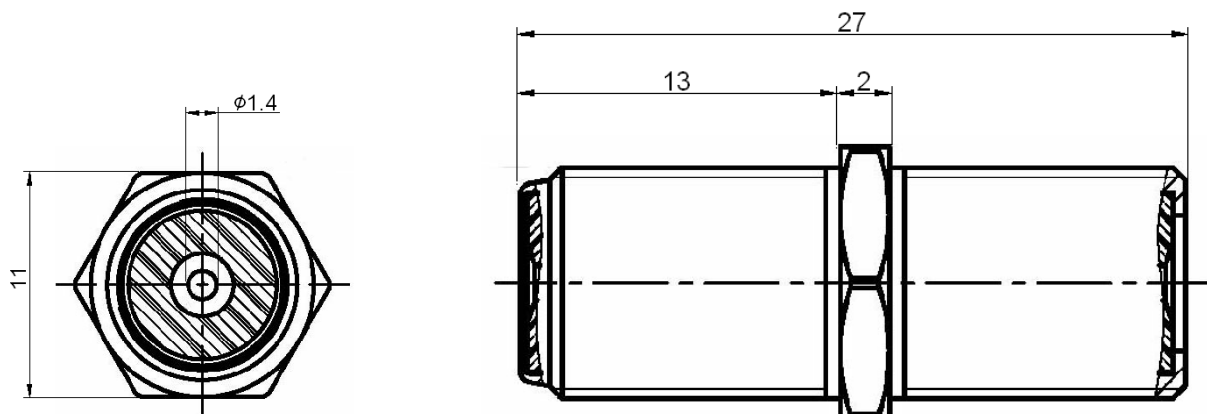


Specification	
Frequency :	3GHz
VSWR :	1.3: 1 (MAX.)
Impedance :	75Ω
Connector Type :	F Female to F Female

No	Description	Material	Q'ty	Finish
01	Insulator	Polyamide Resin	2	Yellow
02	Center Contact	Beryllium Copper	2	Gold
03	Center Pin	Brass	1	Gold
04	Body	Brass	1	Nickel

Outline Drawing

Units: mm



Dimension Tolerance: ±0.2 mm