

Coaxial Adapter

Part No.: WLD-5211



75Ω F Female to 50Ω SMA Male Coaxial Adapter

Configuration

Connector A	F Female
Impedance A	75Ω
Connector B	SMA Male
Impedance B	50Ω
Body Style	Straight



Material

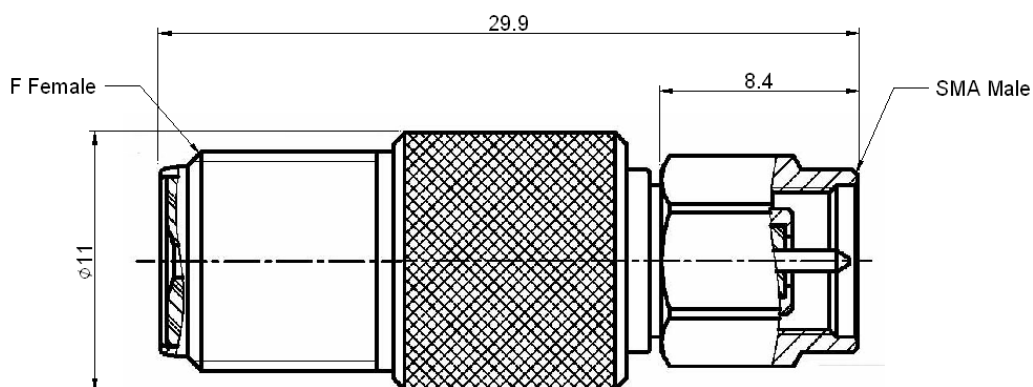
Body Material and Plating: Brass, Nickel

Connector A
Type: F Male
Inner Conductor Material and Plating: Brass, Nickel
Body Material and Plating: Brass, Nickel

Connector B
Type: SMA Male
Inner Connector Material and Plating: Brass, Gold
Body Material and Plating: Brass, Gold

Outline Drawing

Units: mm



Dimension Tolerance: ±0.5 mm