

Coaxial Adapter

Part No.: WLD-5152-75



75Ω F Male to 75Ω F Female Coaxial Adapter

Features

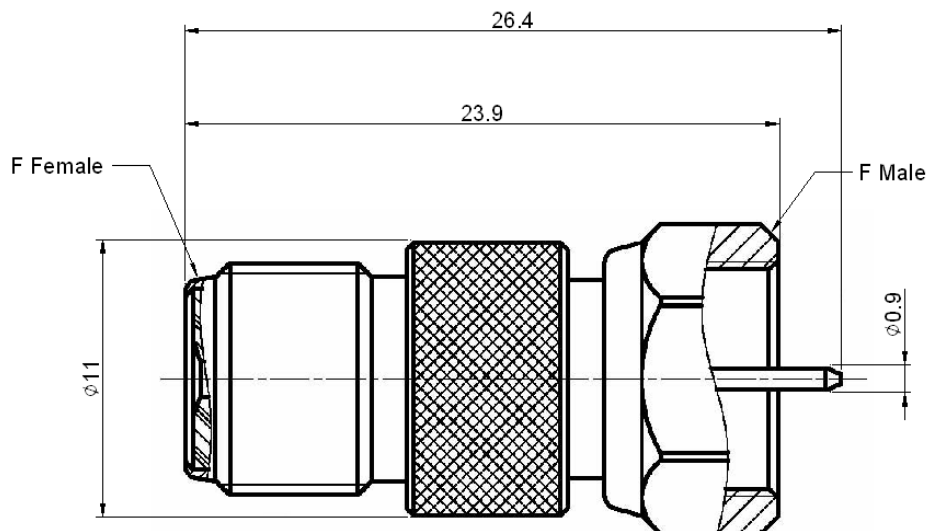
- High Stability
- Low Return Loss

Specification	
Frequency :	3GHz
VSWR :	1.3: 1 (MAX.)
Impedance :	75Ω
Connector Type :	F Male to F Female

No	Description	Material	Q'ty	Finish
01	Shell	Brass	1	Nickel
02	Insulator	Teflon	1	
03	Body	Brass	1	Nickel
04	Center Pin	Brass	1	Gold
05	Center Contact	Beryllium Copper	1	Gold

Outline Drawing

Units: mm



Dimension Tolerance: ±0.5 mm