

# Coaxial Adapter

**Part No.: WLD-4251-75**



## 75Ω BNC Female to 75Ω F Male Coaxial Adapter

### Features

- High Stability
- Low Return Loss

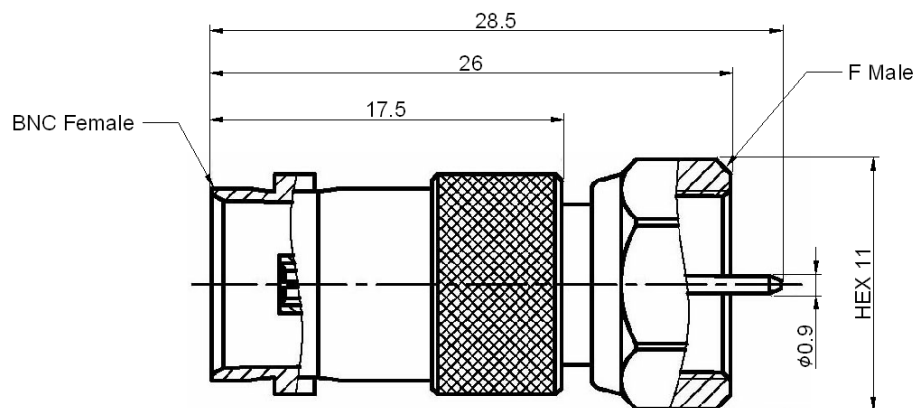


Specification	
Frequency :	3GHz
VSWR :	1.3: 1 (MAX.)
Impedance :	75Ω
Connector Type :	BNC Female to F Male

No	Description	Material	Q'ty	Finish
01	Shell	Brass	1	Nickel
02	Insulator	Teflon	1	
03	Body	Brass	1	Nickel
04	Insulator	POM	1	
05	Press Washer	Brass	1	Nickel
06	Center Pin	Phosphor Bronze	1	Gold

### Outline Drawing

Units: mm



**Dimension Tolerance: ±0.5 mm**