

Coaxial Adapter

Part No.: WLD-41B2-75



75Ω BNC Male to 75Ω RCA Female Coaxial Adapter

Features

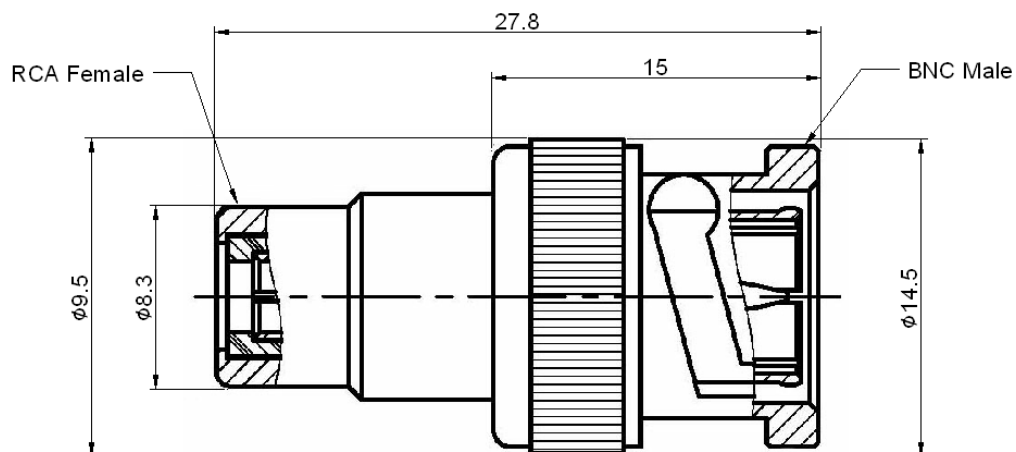
- High Stability
- Low Return Loss

Specification	
Frequency :	1GHz
VSWR :	1.3: 1 (MAX.)
Impedance :	75Ω
Connector Type :	BNC Male to RCA Female

No	Description	Material	Q'ty	Finish
01	Shell	Brass	1	Nickel
02	Gasket	Rubber	1	
03	Inner Retaining Ring	SK5	1	Nickel
04	Spring	SK5	1	Nickel
05	Insulator	Delrin	1	
06	Body	Brass	1	Nickel
07	Center Pin	Brass	1	Nickel

Outline Drawing

Units: mm



Dimension Tolerance: ±0.3 mm