

# Coaxial Adapter

**Part No.: WLD-4152-75**

**75Ω BNC Male to 75Ω F Female Coaxial Adapter**



## Features

- High Stability
- Low Return Loss

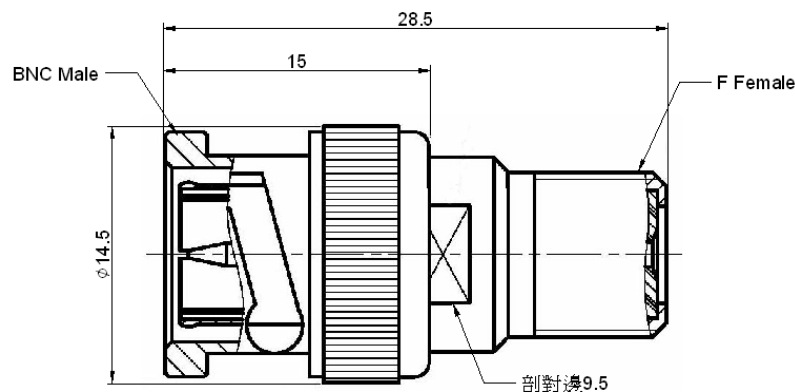


| Specification    |                      |
|------------------|----------------------|
| Frequency :      | 3GHz                 |
| VSWR :           | 1.3: 1 (MAX.)        |
| Impedance :      | 75Ω                  |
| Connector Type : | BNC Male to F Female |

| No | Description     | Material         | Q'ty | Finish |
|----|-----------------|------------------|------|--------|
| 01 | Shell           | Brass            | 1    | Nickel |
| 02 | Gasket          | Rubber           | 1    |        |
| 03 | Inner Retaining | Steel            | 1    | Nickel |
| 04 | Spring          | SK5              | 1    | Nickel |
| 06 | Insulator       | Teflon           | 2    |        |
| 07 | Center Pin      | Brass            | 1    | Gold   |
| 08 | Body            | Brass            | 1    | Nickel |
| 09 | Center Contact  | Beryllium Copper | 1    | Gold   |

## Outline Drawing

Units: mm



**Dimension Tolerance: ±0.5 mm**