

Coaxial Adapter

Part No.: WLD-4141-75



75Ω BNC Male to 75Ω BNC Male Coaxial Adapter

Features

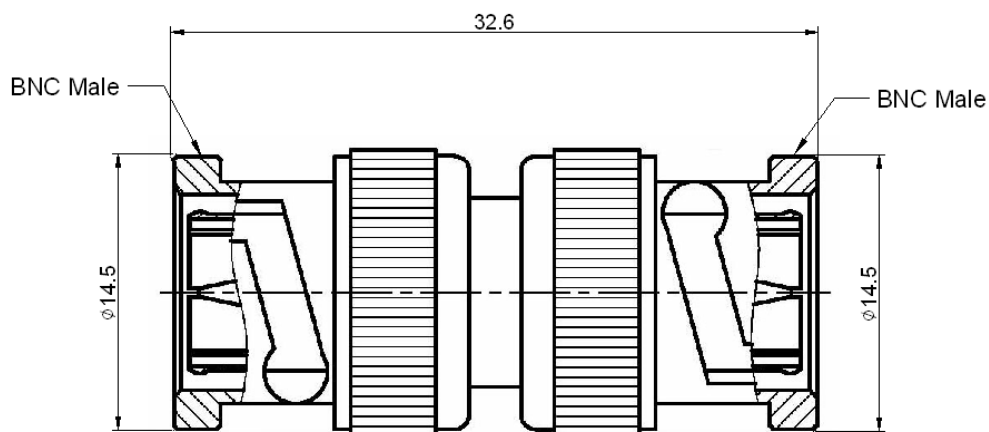
- High Performance

Specification	
Frequency :	1GHz
Impedance:	75Ω
Connector Type:	BNC Male to BNC Male

No	Description	Material	Q'ty	Finish
01	Shell	Brass	2	Nickel
02	Center Pin	Brass	1	Gold
03	Insulator	Teflon	2	
04	Gasket	Rubber	2	
05	Inner Retaining Ring	Steel	2	Nickel
06	Spring	SK5	2	Nickel
07	Body	Brass	1	Nickel

Outline Drawing

Units: mm



Dimension Tolerance: ±0.5 mm