

Coaxial Adapter

Part No.: WLD-2712



6GHz Quick N Male to SMA Female Coaxial Adapter

Features

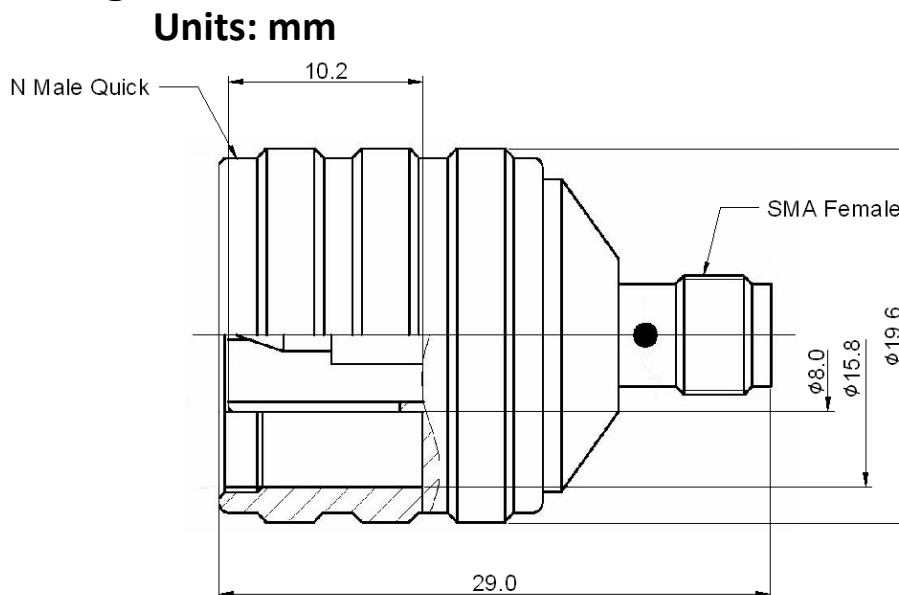
- High Performance
- Low Return Loss



Specification	
Frequency :	6GHz
VSWR :	1.2: 1 (Max.)
Impedance :	50Ω
Dielectric with Voltage :	1000V
Insulation Resistance :	≥5000mΩ
Contact Resistance :	Center Conductor : ≤3.0mΩ
	Outer Conductor : ≤2.0mΩ
Connector Type :	Quick N Male to SMA Female

No	Description	Material	Q'ty	Finish
01	Body	Brass,	1	Nickel
02	Center Contact	Beryllium Copper	1	Gold
03	Insulators	PTFE	1	

Outline Drawing



Dimension Tolerance: ±0.3 mm