

Coaxial Adapter

Part No.: WLD-2222



6GHz N Female to N Female Coaxial Adapter

Features

- High Performance
- Low Return Loss

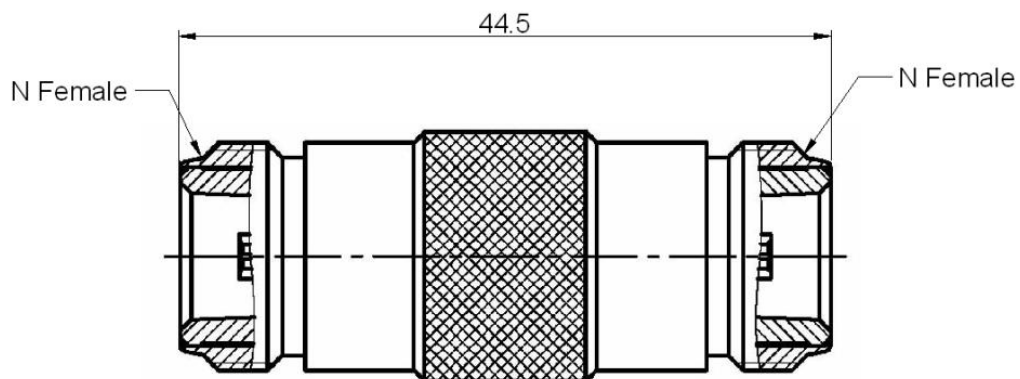


Specification	
Frequency :	6GHz
VSWR :	1.3: 1(MAX.)
Impedance :	50Ω
Connector Type :	N Female to N Female

No	Description	Material	Q'ty	Finish
01	Retaining Holder	Brass	2	Nickel
02	Insulator	Teflon	2	
03	Body	Brass	1	Nickel
04	Center Pin	Phosphor Bronze	1	Gold

Outline Drawing

Units: mm



Dimension Tolerance: ±0.5 mm