

Coaxial Adapter

Part No.: WLD-2212B



12GHz N Female to SMA Female Coaxial Adapter

Features

- High Performance
- Low Return Loss

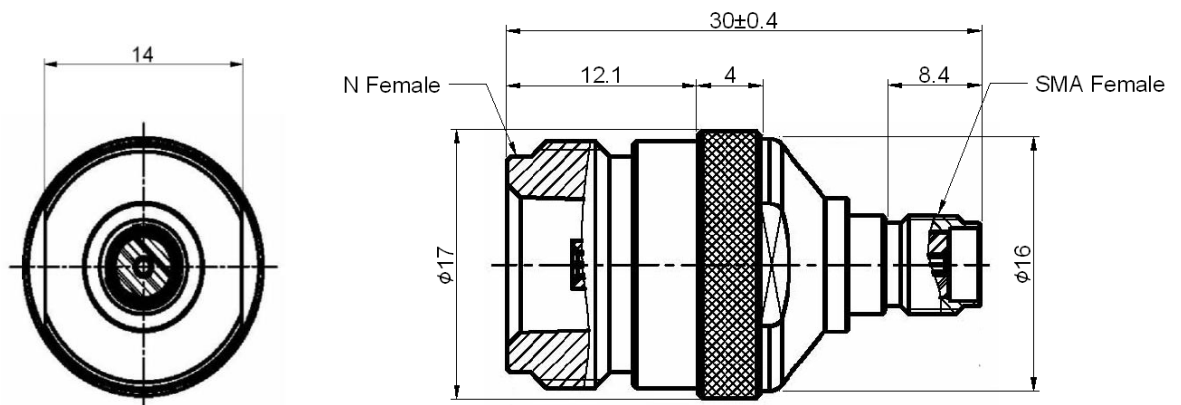


Specification	
Frequency :	12GHz
VSWR :	1.3: 1 (MAX.)
Impedance :	50Ω
Connector Type :	N Female to SMA Female

No	Description	Material	Q'ty	Finish
01	Insulator	Teflon	1	
02	Body	Brass	1	Nickel
03	SMA Body	Brass	1	Nickel
04	Insulator	Teflon	1	
05	Center Pin	Phosphor Bronze	1	Gold

Outline Drawing

Units: mm



Dimension Tolerance: ±0.2 mm