

Coaxial Adapter

Part No.: **WLD-2211B**

12GHz N Female to SMA Male Coaxial Adapter



Features

- High Performance
- Low Return Loss

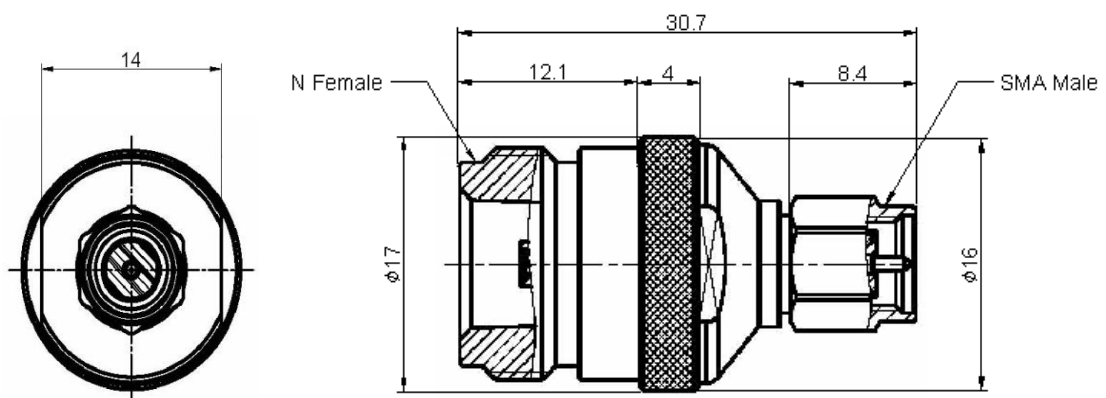


Specification	
Frequency:	12GHz
VSWR:	1.3: 1 (MAX.)
Impedance:	50Ω
Connector Type:	N Female to SMA Male

No	Description	Material	Q'ty	Finish
01	Insulator	Teflon	1	
02	N Body	Brass	1	Nickel
03	SMA Body	Brass	1	Nickel
04	Insulator	Teflon	1	
05	Shell	Brass	1	Nickel
06	Gasket	Silicone	1	Red
07	Inner Retaining Ring	Stainless	1	
08	Center Pin	Phosphor Bronze	1	Gold

Outline Drawing

Units: mm



Dimension Tolerance: ±0.2 mm