

Coaxial Adapter

Part No.: WLD-2112B



12GHz N Male to SMA Female Coaxial Adapter

Features

- High Performance
- Low Return Loss

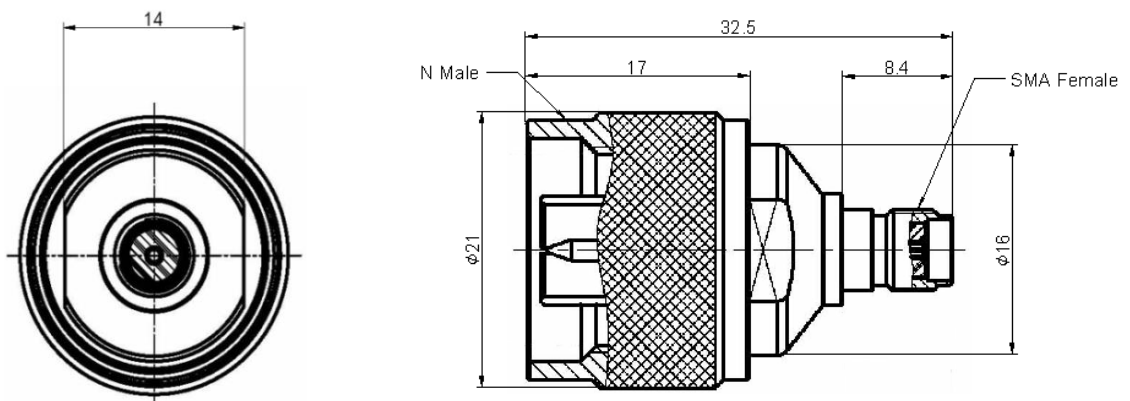


Specification	
Frequency :	12GHz
VSWR :	1.3: 1 (MAX.)
Impedance :	50Ω
Connector Type :	N Male to SMA Female

No	Description	Material	Q'ty	Finish
01	Shell	Brass	1	Nickel
02	Gasket	Silicone	1	Red
03	N Body	Brass	1	Nickel
04	Inner Retaining Ring	Brass	1	
05	Insulator	Teflon	2	
06	Body	Brass	1	Nickel
07	SMA Body	Brass	1	Nickel
08	Center Pin	Phosphor Bronze	1	Gold

Outline Drawing

Units: mm



Dimension Tolerance: ±0.2 mm