

Coaxial Adapter

Part No.: WLD-2111B

12GHz N Male to SMA Male Coaxial Adapter



Features

- High Performance
- Low Return Loss

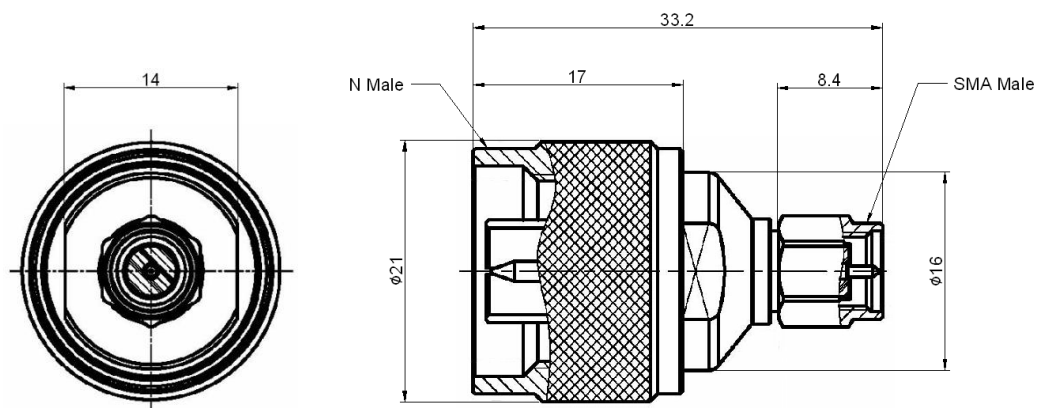


Specification	
Frequency:	12GHz
VSWR:	1.3: 1 (MAX.)
Impedance:	50Ω
Connector Type:	N Male to SMA Male

No	Description	Material	Q'ty	Finish
01	Center Pin	Brass	1	Gold
02	Inner Retaining Ring	Stainless	1	
03	Gasket	Silicone	2	Red
04	Shell	Brass	2	Nickel
05	Insulator	Teflon	2	
06	SMA Body	Brass	1	Nickel
07	Body	Brass	1	Nickel
08	Inner Retaining Ring	Brass	1	
09	N Body	Brass	1	Nickel

Outline Drawing

Units: mm



Dimension Tolerance: ±0.2 mm