

Coaxial Adapter

Part No.: **WLD-1712**



6GHz Quick SMA Male to SMA Female Coaxial Adapter

Features

- High Stability
- Low Return Loss

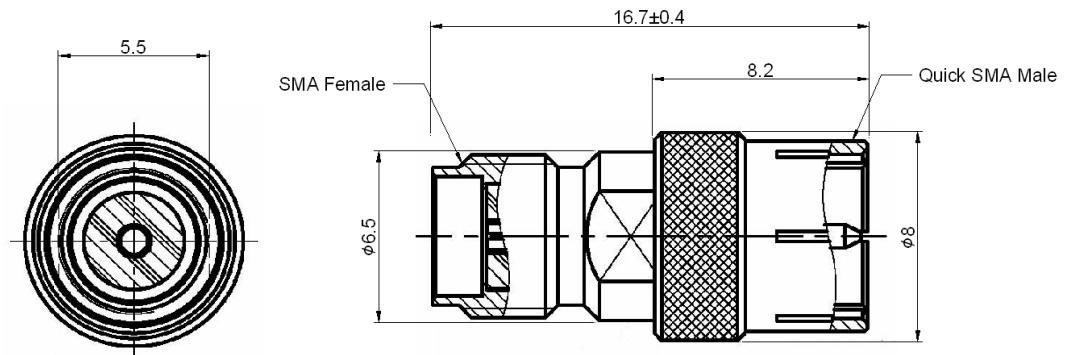


Specification	
Frequency :	6GHz
VSWR:	1.3: 1 (MAX.)
Impedance:	50Ω
Connector Type:	Quick SMA Male to SMA Female

No	Description	Material	Q'ty	Finish
01	Body	Brass	1	Gold
02	Insulator	Teflon	2	
03	Center Pin	Phosphor	1	Gold
04	Shell	Brass	1	Gold

Outline Drawing

Units: mm



Dimension Tolerance: ±0.2 mm