

Coaxial Adapter

Part No.: WLD-1312

6GHz SMA Male Reverse to SMA Female

Coaxial Adapter



Features

- High Stability
- Low Return Loss

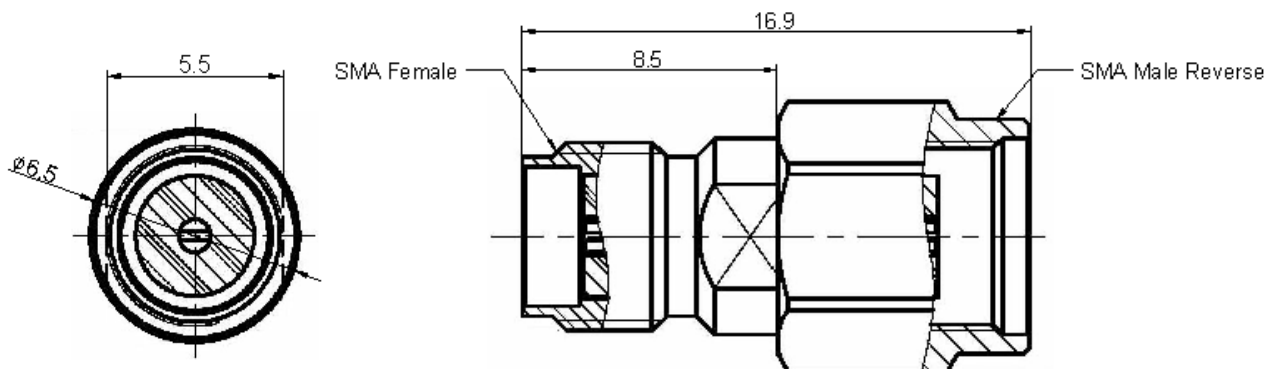


Specification	
Frequency :	6GHz
VSWR:	1.3: 1 (MAX.)
Impedance:	50Ω
Connector Type:	SMA Male Reverse to SMA Female

No	Description	Material	Q'Ty	Finish
01	Body	Brass	1	Gold
02	Insulator	Teflon	2	
03	Inner Retaining Ring	Stainless	1	
04	Gasket	Silicone	1	Red
05	Center Pin	Phosphor Bronze	1	Gold
06	Shell	Brass	1	Gold

Outline Drawing

Units: mm



Dimension Tolerance: ±0.5 mm