

Coaxial Adapter

Part No.: **WLD-1242**



4GHz SMA Female to BNC Female Coaxial Adapter

Features

- High Stability
- Low Return Loss

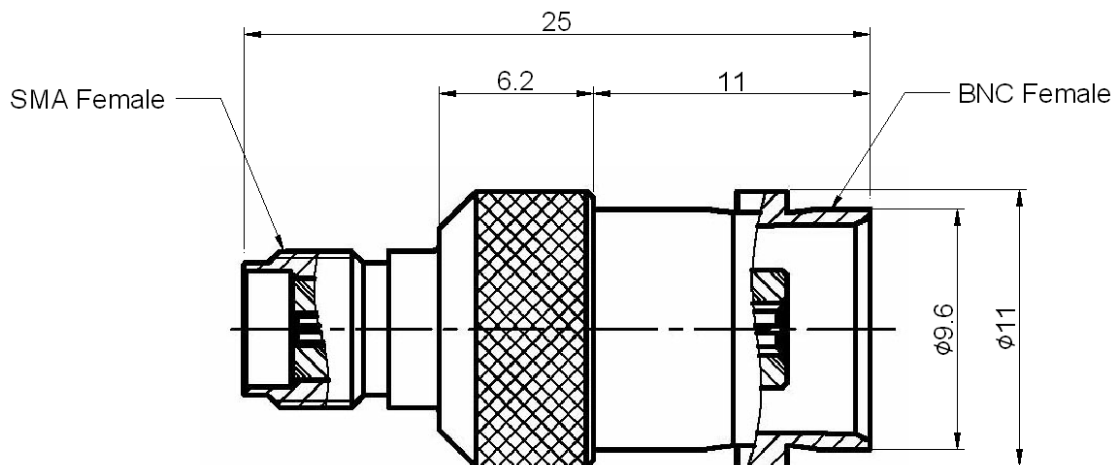


Specification	
Frequency :	4GHz
VSWR:	1.3: 1 (MAX.)
Impedance:	50Ω
Connector Type:	SMA Female to BNC Female

No	Description	Material	Q'ty	Finish
01	Body	Brass	1	Nickel
02	Insulator	Teflon	2	
03	Center Pin	Phosphor Bronze	1	Gold

Outline Drawing

Units: mm



Dimension Tolerance: ± 0.5 mm