

Coaxial Adapter



Part No.: WLD-1241

4GHz SMA Female to BNC Male Coaxial Adapter

Features

- High Stability
- Low Return Loss

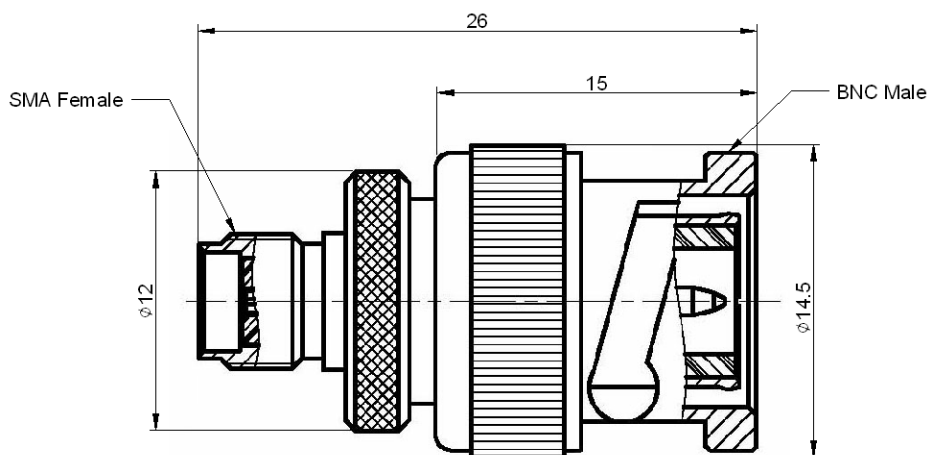


Specification	
Frequency :	4GHz
VSWR:	1.3: 1 (MAX.)
Impedance:	50Ω
Connector Type:	SMA Female to BNC Male

No	Description	Material	Q'ty	Finish
01	Body	Brass	1	Nickel
02	Center Pin	Phosphor Bronze	1	Gold
03	Insulator	Teflon	2	
04	Spring	Sk5	1	Nickel
05	Inner Retaining Ring	Sk5	1	Nickel
06	Gasket	Rubber	1	
07	Shell	Brass	1	Nickel

Outline Drawing

Units: mm



Dimension Tolerance: ± 0.3 mm