

# Coaxial Adapter

**Part No.: WLD-1214**



## 6GHz SMA Female to SMA Female Reverse Coaxial Adapter

### Features

- High Stability
- Low Return Loss

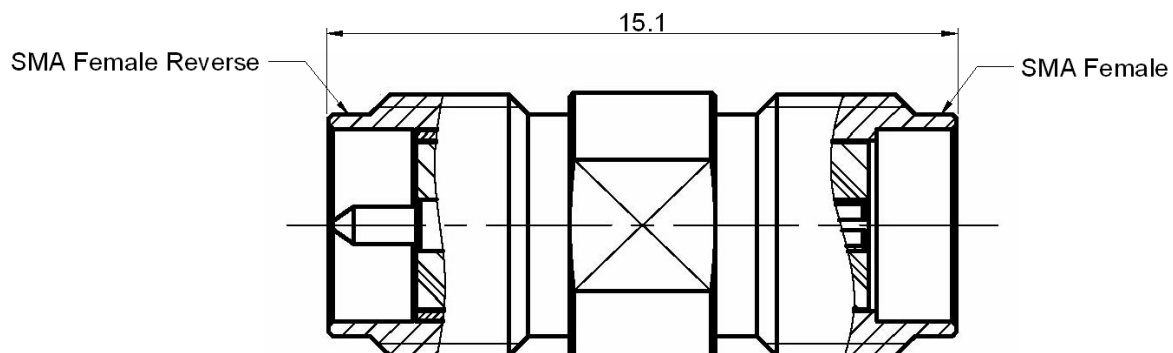


Specification	
Frequency :	6GHz
VSWR :	1.3: 1 (MAX.)
Impedance :	50Ω
Connector Type :	SMA Female to SMA Female Reverse

No	Description	Material	Q'ty	Finish
01	Body	Brass	1	Gold
02	Insulator	Teflon	2	
03	Center Pin	Phosphor Bronze	1	Gold

### Outline Drawing

Units: mm



**Dimension Tolerance: ±0.5 mm**