

# Coaxial Adapter

**Part No.: WLD-1212BH**



## 10GHz SMA Female to SMA Female Bulkhead Coaxial Adapter

### Features

- High Performance
- Low Return Loss

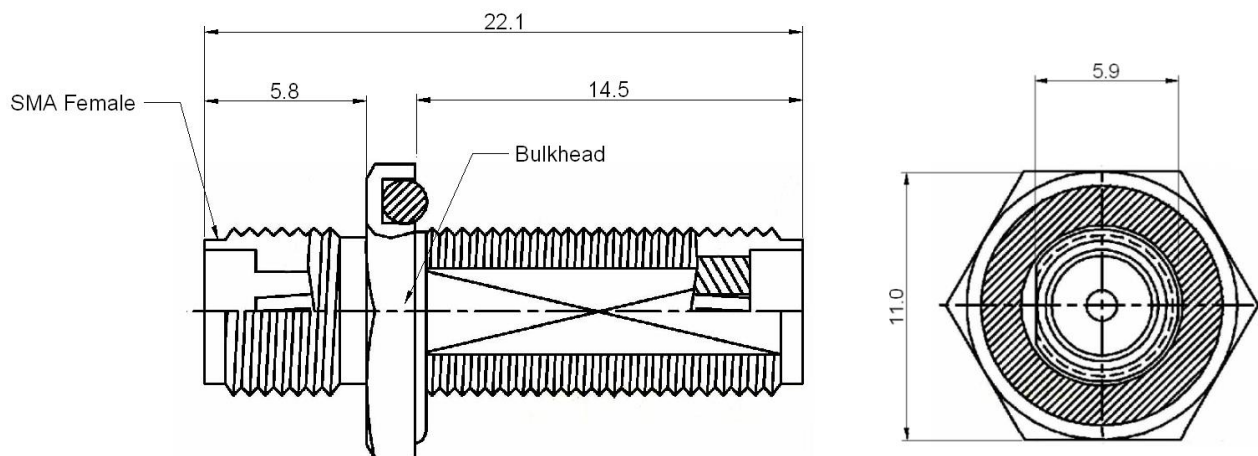


Specification	
Frequency :	10GHz
VSWR :	1.2: 1 (MAX.)
Impedance :	50Ω
Connector Type :	SMA Female to SMA Female Bulkhead

No	Description	Material	Q'ty	Finish
01	Body	Brass	1	Gold
02	Contact	Be. copper	1	Gold
03	Insulator	Teflon	1	
04	Nut	Brass	1	Gold
05	Washer	Brass	1	Gold
06	Gasket	Silicone	1	

### Outline Drawing

Units: mm



**Dimension Tolerance: ±0.3 mm**