

Coaxial Adapter

Part No.: WLD-1116B

12GHz SMA Male to SMA Female Right Angle Adapter



Features

- High Performance
- Low Return Loss

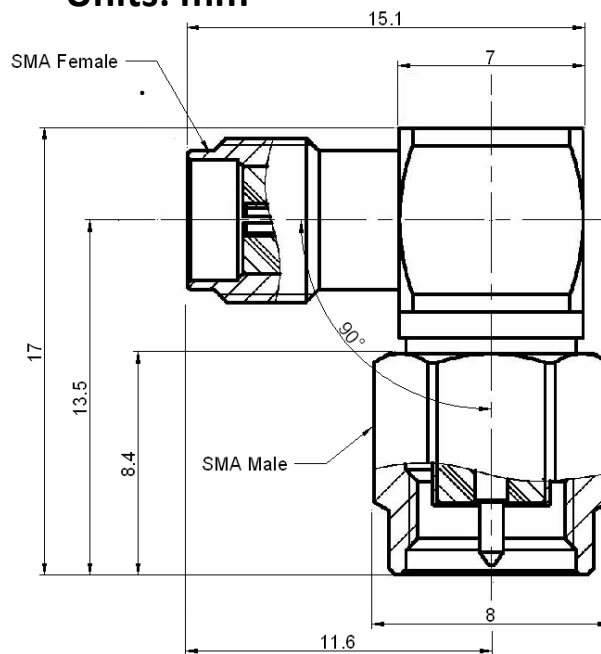


Specification	
Frequency :	12GHz
VSWR :	1.3: 1 (MAX.)
Impedance :	50Ω
Connector Type :	SMA Male to SMA Female

No	Description	Material	Q'ty	Finish
01	SMA Jack Body	Brass	1	Gold
02	Insulator	Teflon	3	
03	SMA Plug Body	Brass	1	Gold
04	Center Pin	Phosphor Bronze	1	Gold
05	Inner Retaining Ring	Stainless	1	
06	Gasket	Silicone	1	Red
07	Shell	Brass	1	Gold

Outline Drawing

Units: mm



Dimension Tolerance: ±0.2 mm