

Coaxial Adapter

Part No.: WLD-1115B



18GHz SMA Male to SMA Male Right Angle Adapter

Features

- High Performance
- Low Return Loss

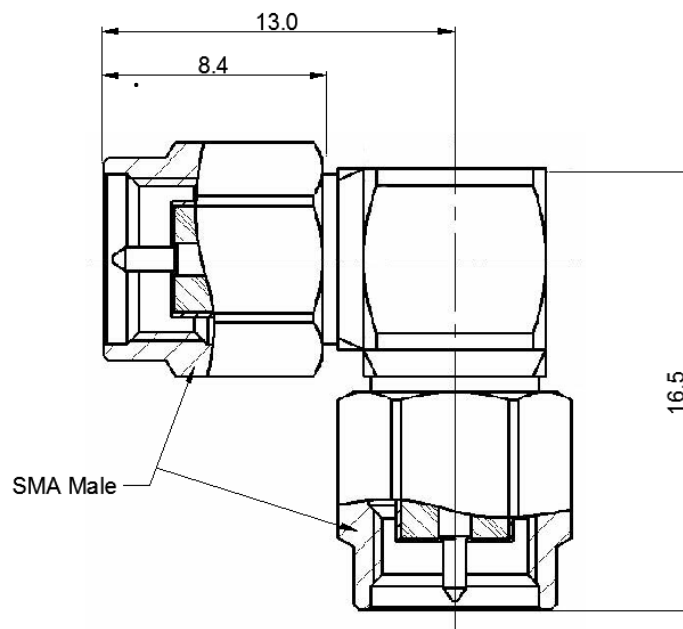


Specification	
Frequency :	18GHz
VSWR :	1.5: 1 (MAX.)
Impedance :	50Ω
Connector Type :	SMA Male to SMA Male

No	Description	Material	Q'ty	Finish
01	Insulator	Teflon	3	
02	SMA Plug Body	Brass	2	Gold
03	Center Pin	Phosphor Bronze	1	Gold
04	Inner Retaining Ring	Stainless	1	
05	Gasket	Silicone	1	Red
06	Shell	Brass	1	Gold

Outline Drawing

Units: mm



Dimension Tolerance: ±0.3 mm