

# 75Ω Coaxial Adapter

Part No.: **WLD-2152-75**



## 75Ω N Male to 75Ω F Female Coaxial Adapter

### Features

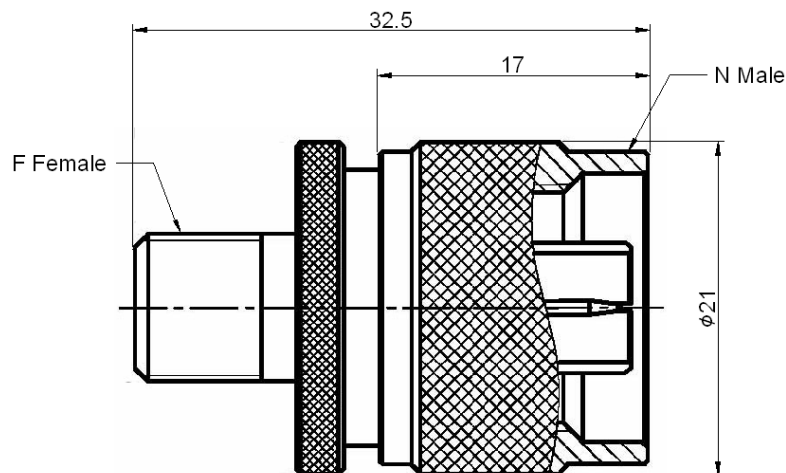
- High Performance
- Low Return Loss

Specification	
Frequency :	3GHz
VSWR :	1.3: 1 (MAX.)
Impedance :	75Ω
Connector Type :	N Male to F Female

No	Description	Material	Q'ty	Finish
01	Shell	Brass	1	Nickel
02	Body	Brass	1	Nickel
03	Center Pin	Brass	1	Gold
04	Gasket	Silicone	1	Red
05	Inner Retaining Ring	Brass	1	
06	Insulator	Teflon	1	
07	Body	Brass	1	Nickel
08	Center Contact	Beryllium Copper	1	Gold
09	Insulator	Teflon	1	

### Outline Drawing

Units: mm



**Dimension Tolerance: ±0.3 mm**